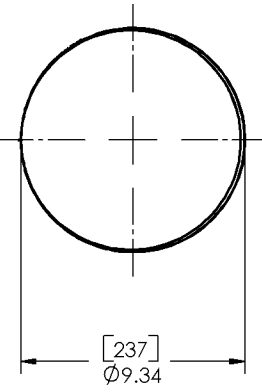
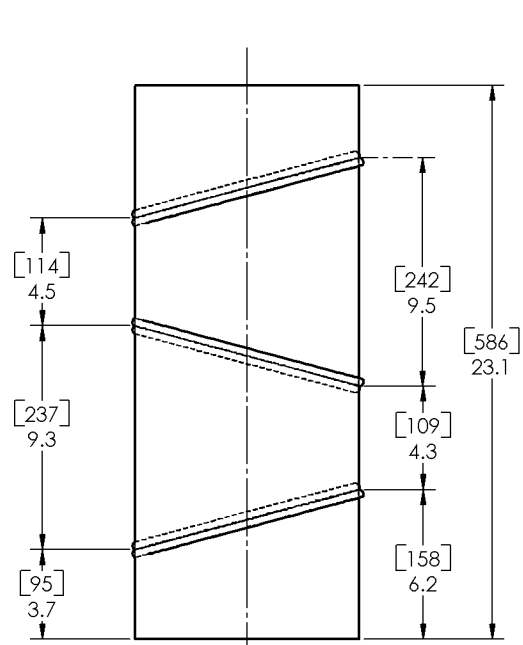
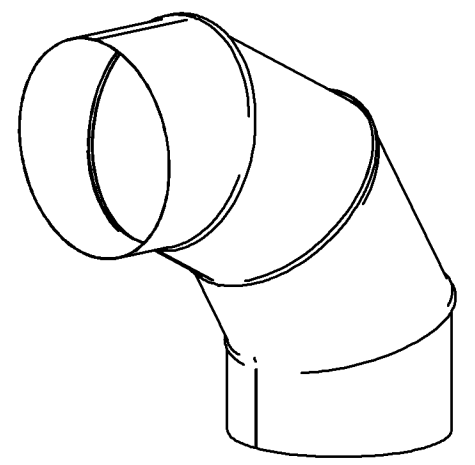


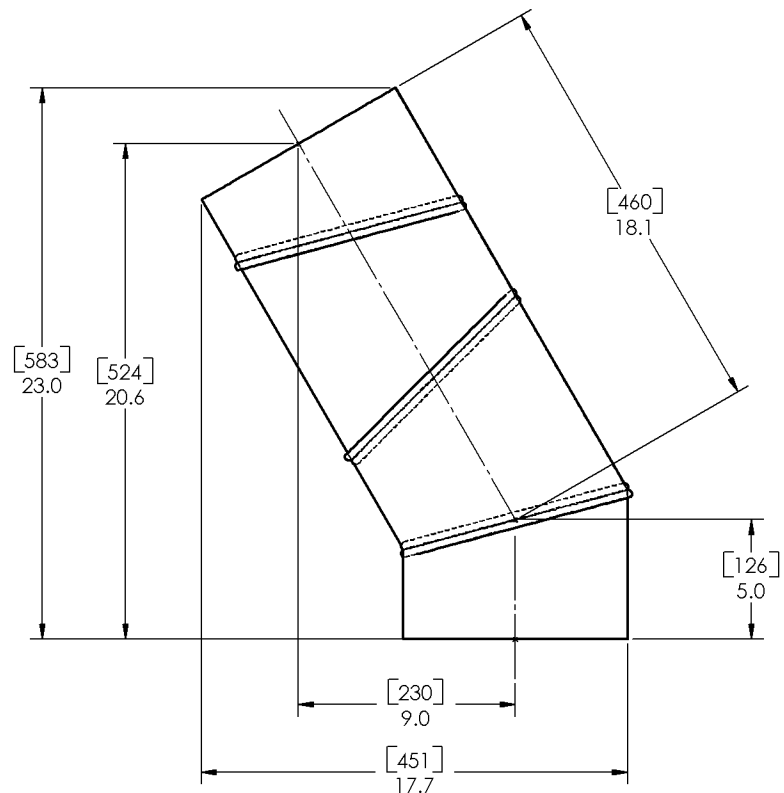
REVISIONS				
ECO	REV.	DESCRIPTION	DATE	INC.
	1		2/17/2006	



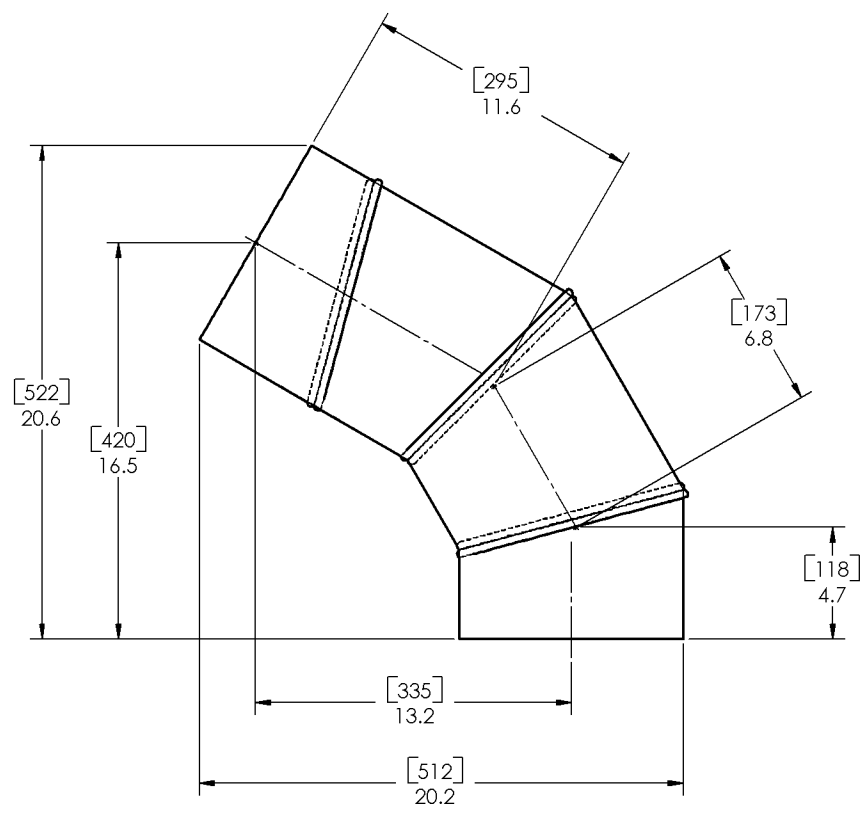
**TOP VIEW
STRAIGHT**



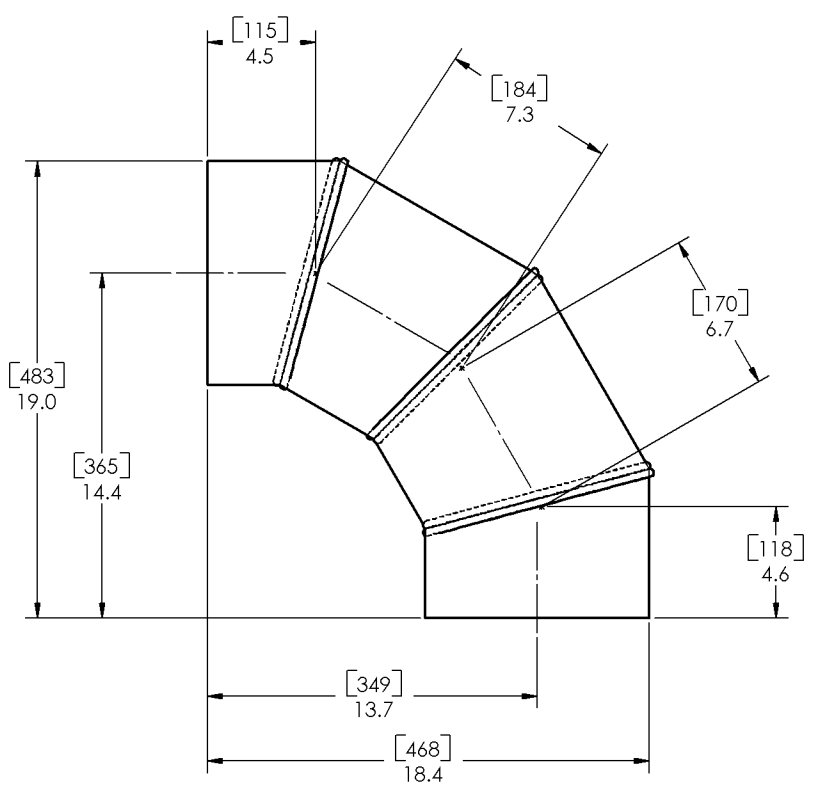
**STRAIGHT
SCALE 1:1**



**30° ANGLE
SCALE 1:1**



**60° ANGLE
SCALE 1:1**



**90° ANGLE
SCALE 1:1**

Ovlašteni zastupnik za Hrvatsku:
QUADRATUM d.o.o.
 B.Zadre 14, Sesvete, Zagreb
 Tel: 01 2027 072, Mob: 091 2345 129
 info@quadratum.hr, www.quadratum.hr

UNLESS OTHERWISE SPECIFIED:		PROPRIETARY AND CONFIDENTIAL	
TOLERANCES		THE INFORMATION CONTAINED IN THIS DRAWING IS THE SOLE PROPERTY OF SOLATUBE. ANY REPRODUCTION IN PART OR AS A WHOLE WITHOUT THE WRITTEN PERMISSION OF SOLATUBE IS PROHIBITED.	
ANGULAR: ±0.5°			
INCH	MILLIMETER	DRAWN BY	DATE
X ± .2	X ± .25	STEVENS	2/17/06
XX ± .01	XX ± .12	CHECKED BY	DATE
XXX ± .005	XXX ± .025	APPROVED BY	DATE
MATERIAL			
FINISH			
DO NOT SCALE DRAWING			

SOLATUBE
 2210 CHAK RIDGE WAY
 VISTA, CALIFORNIA 92081-8341
 PH (760) 587-4400

TITLE: **0-90 DEGREE EXT. TUBE
10 INCH**

SIZE: **D** DWG. NO.: **10-90DEG-EXT** REV: **1**

SCALE: 1:4 SHEET 1 OF 1