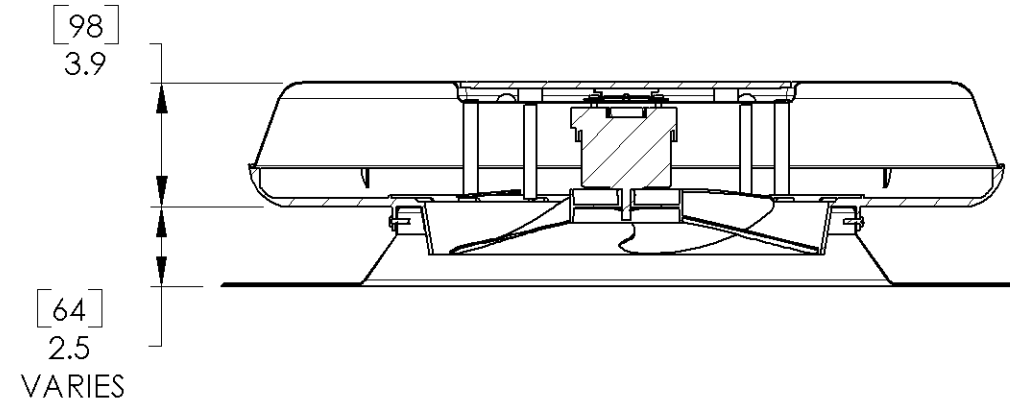
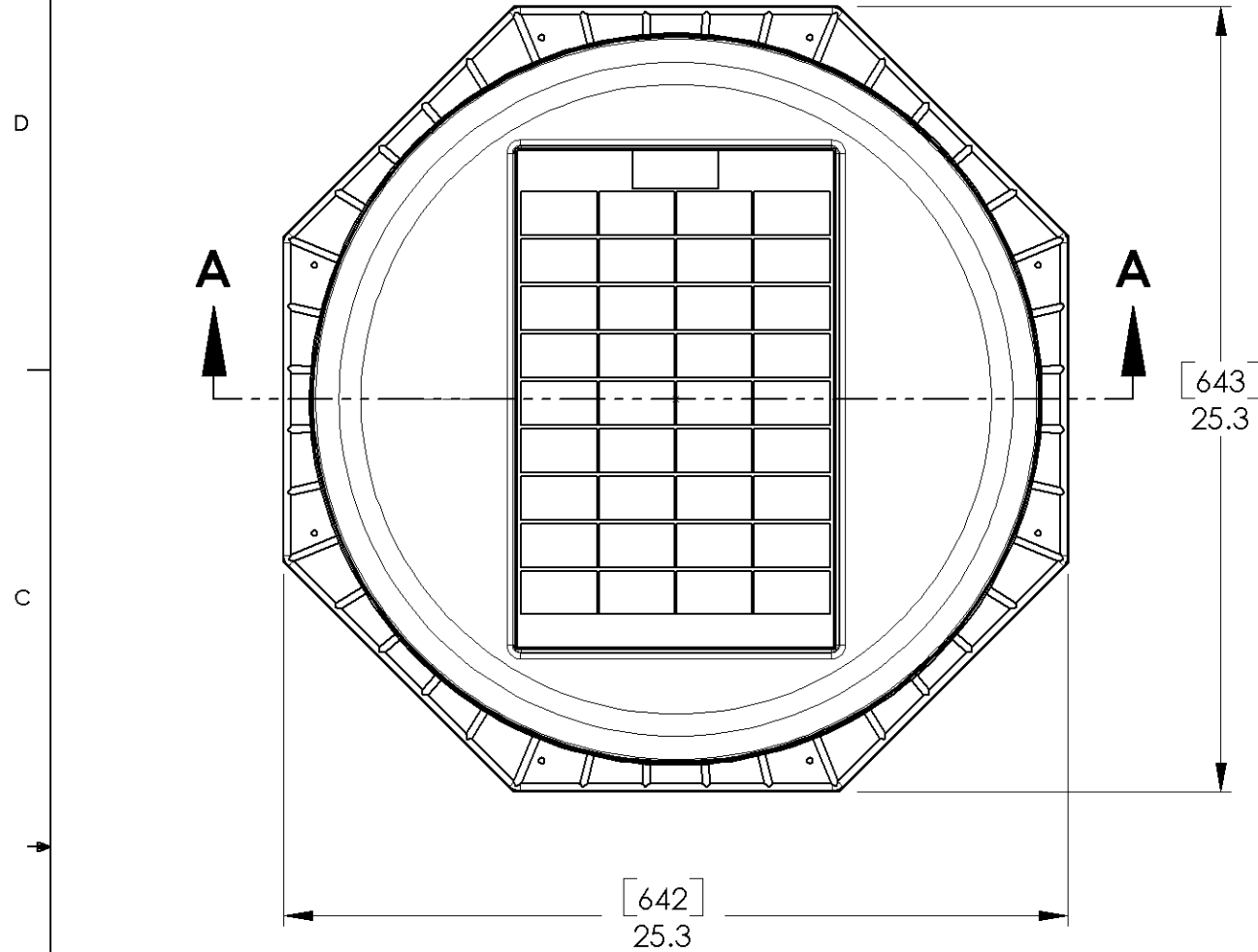
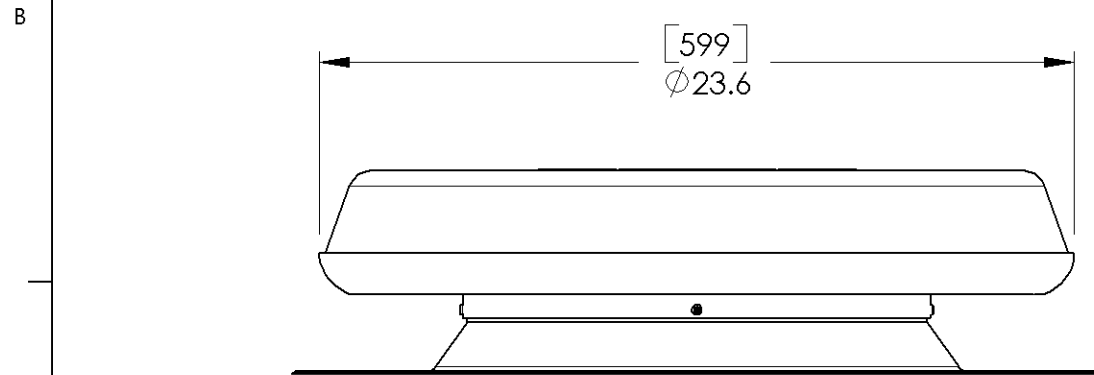



8 7 6 5 4 3 2 1

REVISIONS				
ECO	REV.	DESCRIPTION	DATE	INC.
	A		8/17/2004	



SECTION A-A



UNLESS OTHERWISE SPECIFIED: TOLERANCES ANGULAR: $\pm 0.5^\circ$ INCH MILLIMETER .X \pm .2 [X] \pm .25 .XX \pm .01 [XX] \pm .12 .XXX \pm .005 [XXX] \pm .025		PROPRIETARY AND CONFIDENTIAL THE INFORMATION CONTAINED IN THIS DRAWING IS THE SOLE PROPERTY OF SOLATUBE. ANY REPRODUCTION IN PART OR AS A WHOLE WITHOUT THE WRITTEN PERMISSION OF SOLATUBE IS PROHIBITED.		 2210 OAK RIDGE WAY VISTA, CALIFORNIA 92081-8341 PH (760) 597-4400	
MATERIAL -- --		DRAWN BY STEVENS	DATE 8/17/04	TITLE: 14" SOLAR STAR ASSEMBLY	
FINISH -- --		CHECKED BY --	DATE --	SIZE B	DWG. NO. 122020 DETAIL
DO NOT SCALE DRAWING		APPROVED BY --	DATE --	REV A	SCALE: 1:6
					SHEET 1 OF 1

Ovlašteni zastupnik za Hrvatsku:
 QUADRATUM d.o.o.
 B.Zadre 14, Sesvete, Zagreb
 Tel: 01 2027 072, Mob: 091 2345 129
 info@quadratum.hr, www.quadratum.hr