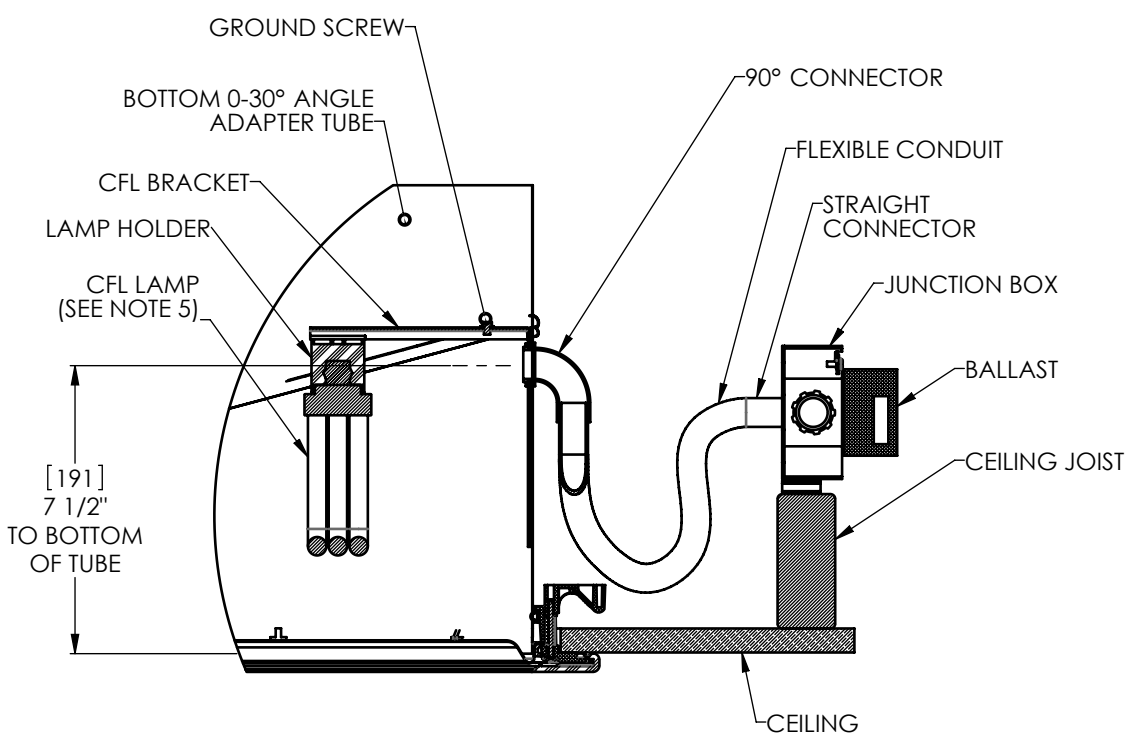
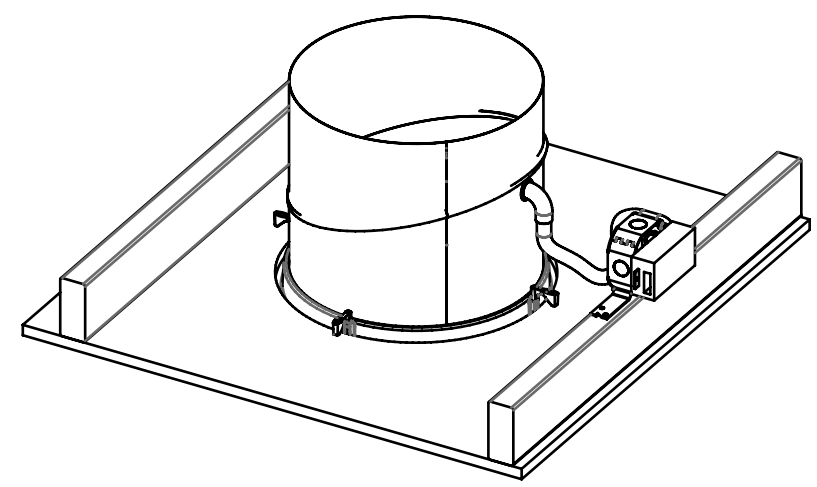


REVISIONS					
REV	ECO	DATE	REVISED	CHECKED	APPROVED
A		10/4/2010			

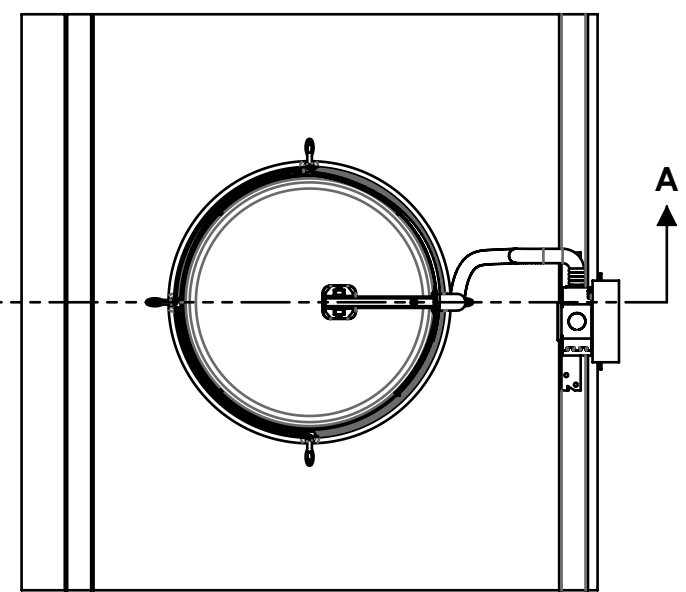
**SOLATUBE 290 DS
(14 IN / 350 MM)
COMPACT FLUORESCENT
LIGHT ADD-ON KIT
HARD CEILING**



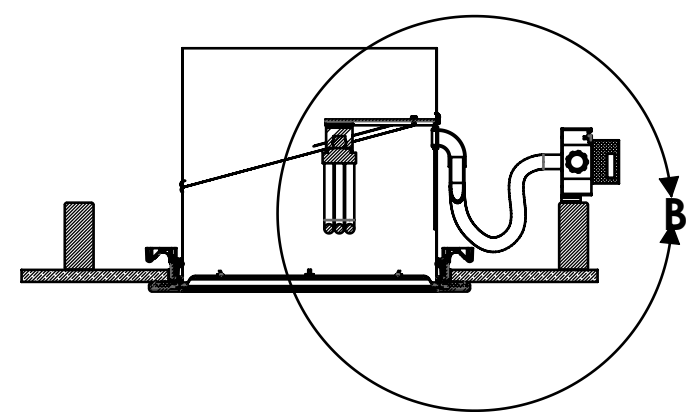
**DETAIL B
SCALE 2 : 1**

NOTES:


1. STRUCTURAL ELEMENTS (PLYWOOD, RAFTERS, DRYWALL ETC. BY OTHERS & SHOWN FOR REFERENCE ONLY).
2. ALL TUBE JOINTS & SEAMS TAPED WITH 2" FOIL TAPE (NOT SHOWN).
3. DIMENSIONS IN BRACKETS ARE METRIC UNLESS OTHERWISE SPECIFIED.
4. 6" MIN CLEARANCE SHOULD BE MAINTAINED FROM ALL SOLATUBE COMPONENTS AND OTHER PLENUM COMPONENTS.
5. CFL LAMP: USE GX24q-3 BASE, 26 WATT; 4-PIN ONLY



SECTION A-A



Ovlašteni zastupnik za Hrvatsku:
QUADRATUM d.o.o.
 B.Zadre 14, Sesvete, Zagreb
 Tel: 01 2027 072, Mob: 091 2345 129
 info@quadratum.hr, www.quadratum.hr

UNLESS OTHERWISE SPECIFIED:		SOLATUBE INTERNATIONAL, INC. COPYRIGHT 2010 WWW.SOLATUBE.COM		 <small>2210 CASK MILKRE WAY WESTLA, CALIF. 92081-8341 PH: (760) 537-4800</small>	
DIMENSION TOLERANCE		DRAWN BY STEVENS		DATE 10/4/10	
FRACTIONS ± 1/4"		CHECKED BY		DATE	
INCH X ± .1		APPROVED BY		DATE	
MILLIMETER XX ± .06		DO NOT SCALE DRAWING		TITLE: SOLATUBE 290 DS COMPACT FLUORESCENT LIGHT	
SIZE		DWG. NO. WEB-290DS-HC-CFL		REV A	
SCALE: 1:1		SHEET 1 OF 1			