

8

7

6

5

4

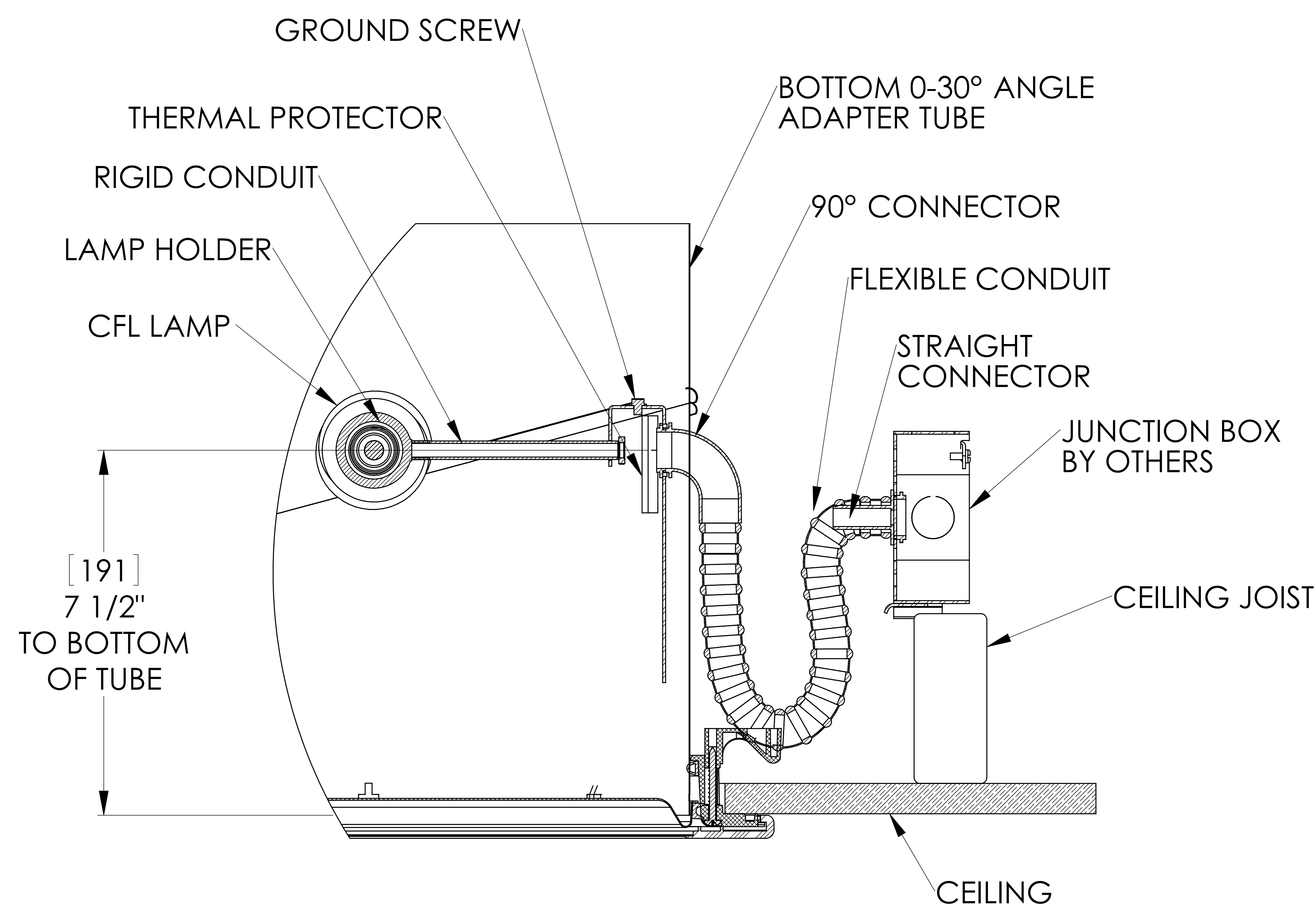
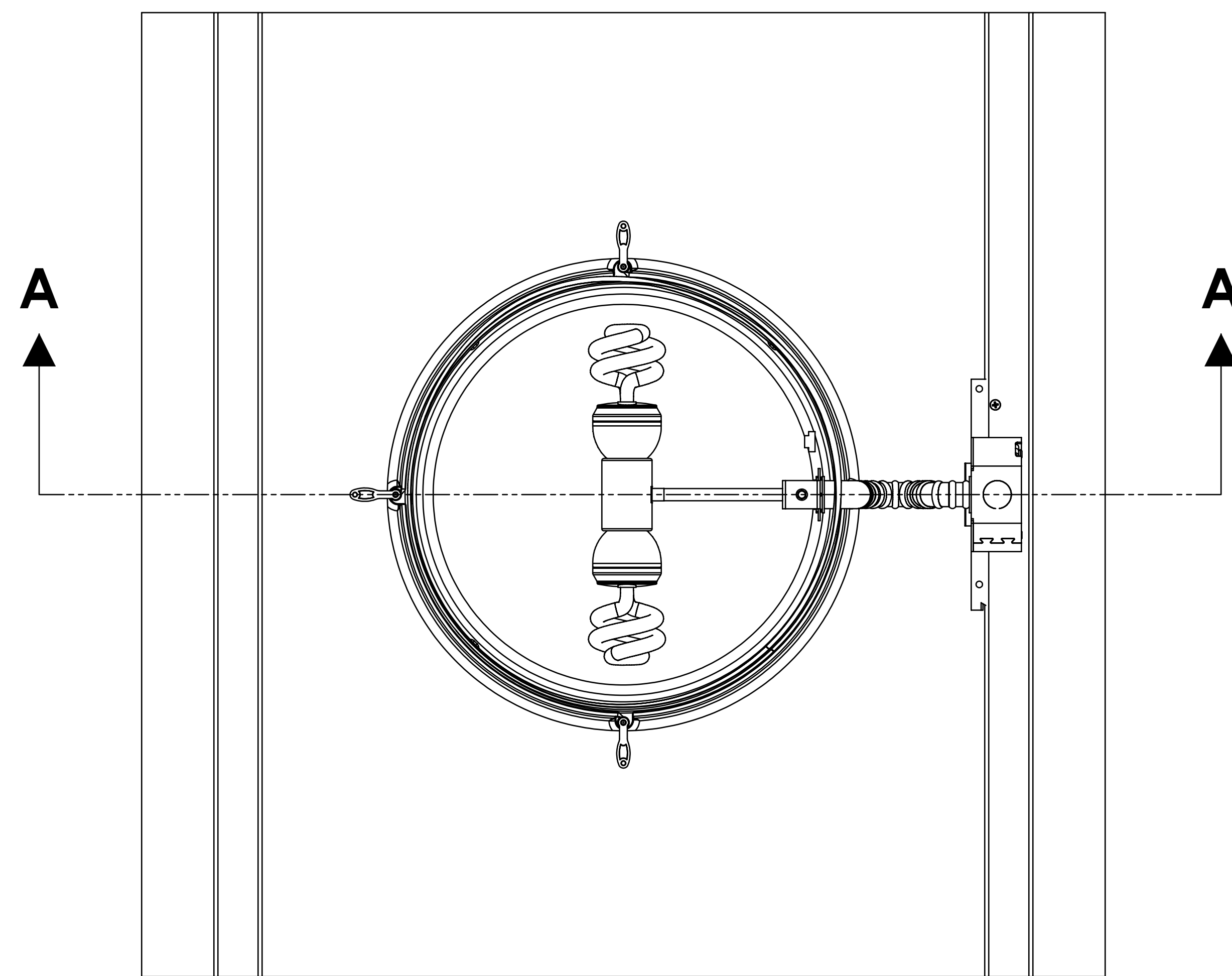
3

2

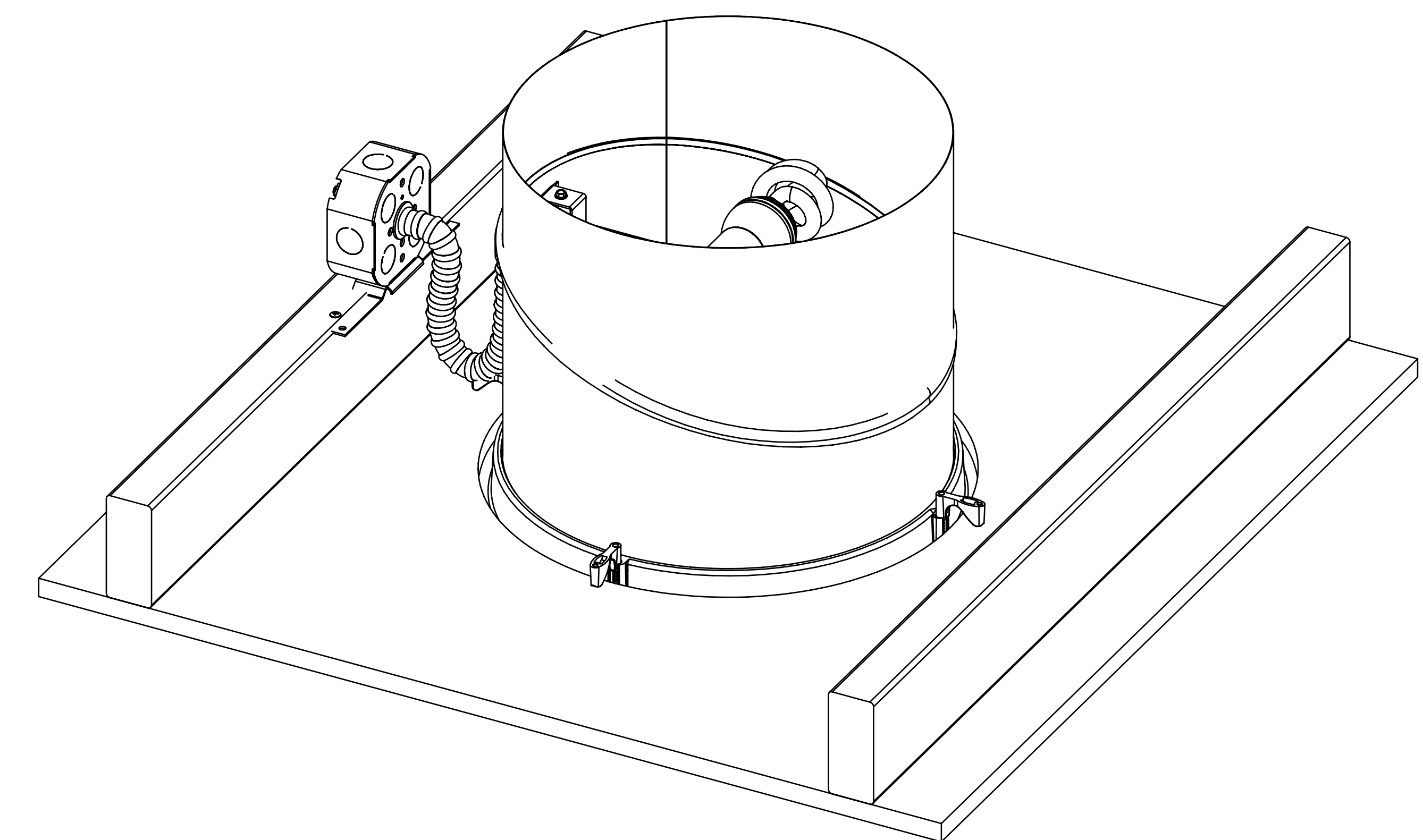
1

REVISIONS					
REV	ECO	DATE	REVISED	CHECKED	APPROVED
A		10/4/2010			

**SOLATUBE 290 DS
(14 IN / 350 MM)
UNIVERSAL LIGHT ADD-ON KIT
HARD CEILING**

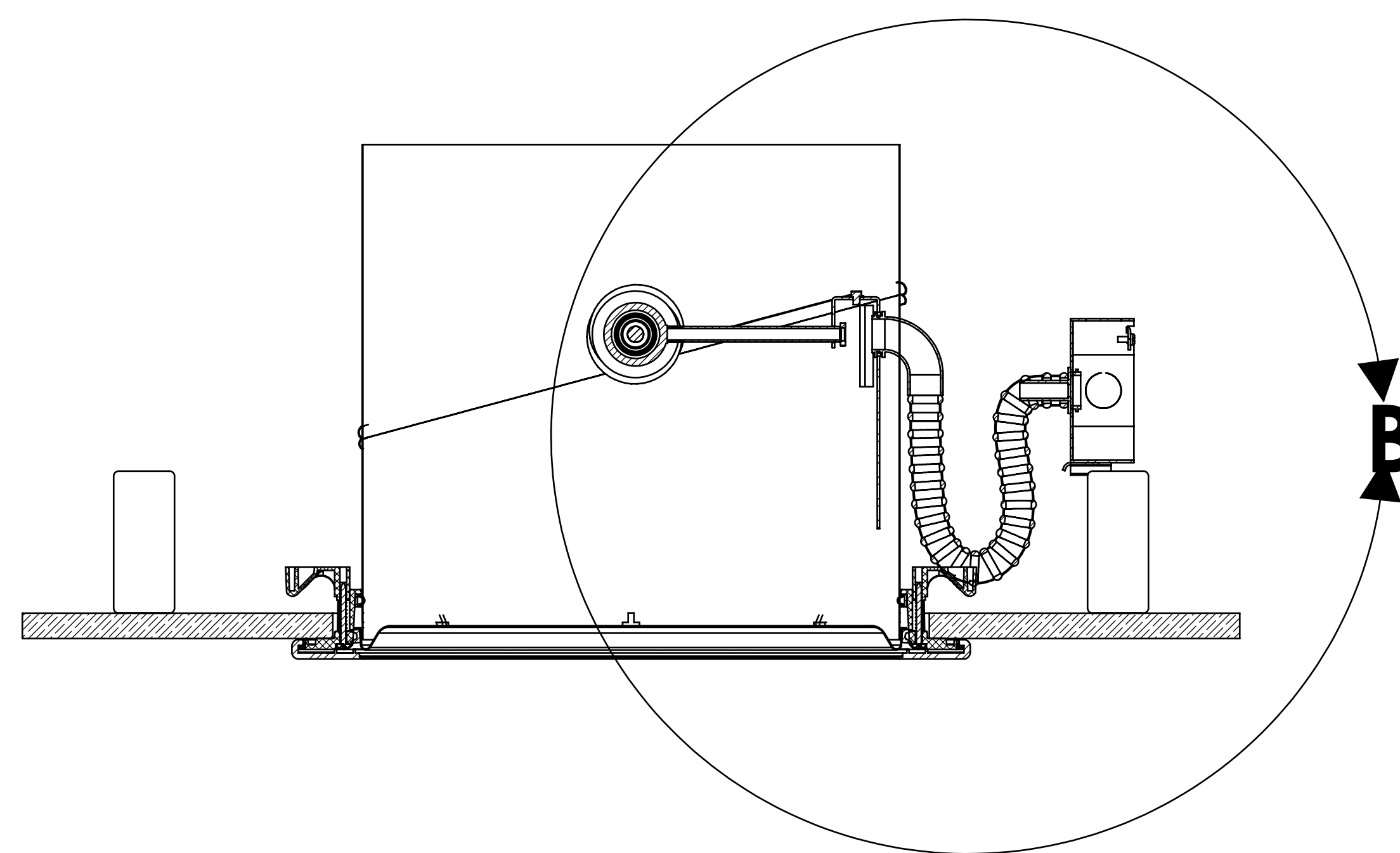


**DETAIL B
SCALE 2 : 1**




NOTES:

1. STRUCTURAL ELEMENTS (PLYWOOD, RAFTERS, DRYWALL ETC. BY OTHERS & SHOWN FOR REFERENCE ONLY).
2. ALL TUBE JOINTS & SEAMS TAPED WITH 2" FOIL TAPE (NOT SHOWN).
3. DIMENSIONS IN BRACKETS ARE METRIC UNLESS OTHERWISE SPECIFIED.
4. 6" MIN CLEARANCE SHOULD BE MAINTAINED FROM ALL SOLATUBE COMPONENTS AND OTHER PLENUM COMPONENTS.
5. LAMP TYPE: FLUORESCENT, MEDIUM BASE, 23 WATT MAXIMUM, TOTAL MAXIMUM LENGTH 4-3/4" (120 MM)



SECTION A-A

Ovlašteni zastupnik za Hrvatsku:
QUADRATUM d.o.o.
 B.Zadre 14, Sesvete, Zagreb
 Tel: 01 2027 072, Mob: 091 2345 129
 info@quadratum.hr, www.quadratum.hr

UNLESS OTHERWISE SPECIFIED:		SOLATUBE INTERNATIONAL, INC. COPYRIGHT 2010 WWW.SOLATUBE.COM		 2210 OAK RIDGE WAY VISTA, CALIFORNIA 92081-8341 PH (760) 597-4400	
DIMENSION TOLERANCE FRACTIONS ± 1/4" INCH .X ± .1 .XX ± .06 MILLIMETER [X] ± 2.5 [.XX] ± 1.5		DRAWN BY STEVENS DATE 10/4/10		TITLE: SOLATUBE 290 DS LIGHT ADD-ON	
MATERIAL -- FINISH --		CHECKED BY -- APPROVED BY --		DATE -- DATE --	
DO NOT SCALE DRAWING				DWG. NO. WEB-290DS-HC-LIGHT	
				REV A	
				SCALE: 1:1 SHEET 1 OF 1	

8

7

6

5

4

3

2

1