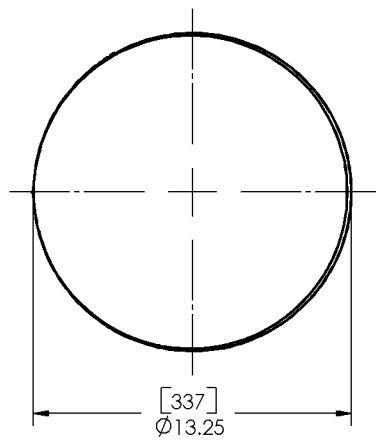
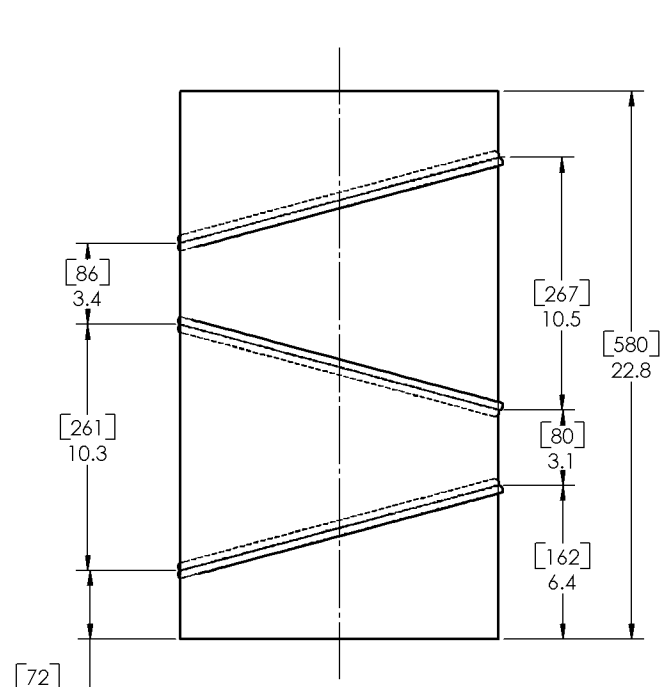
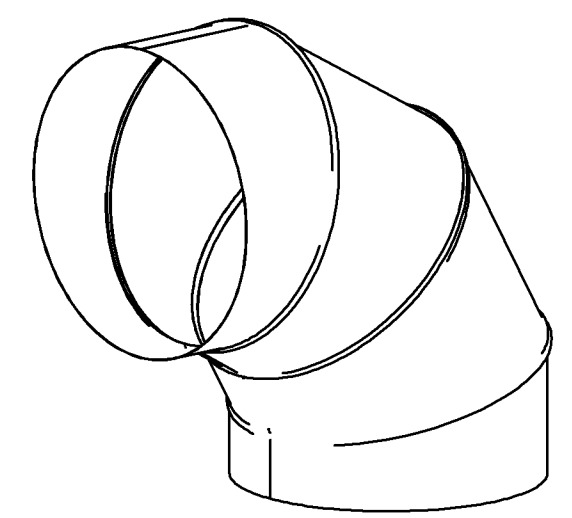


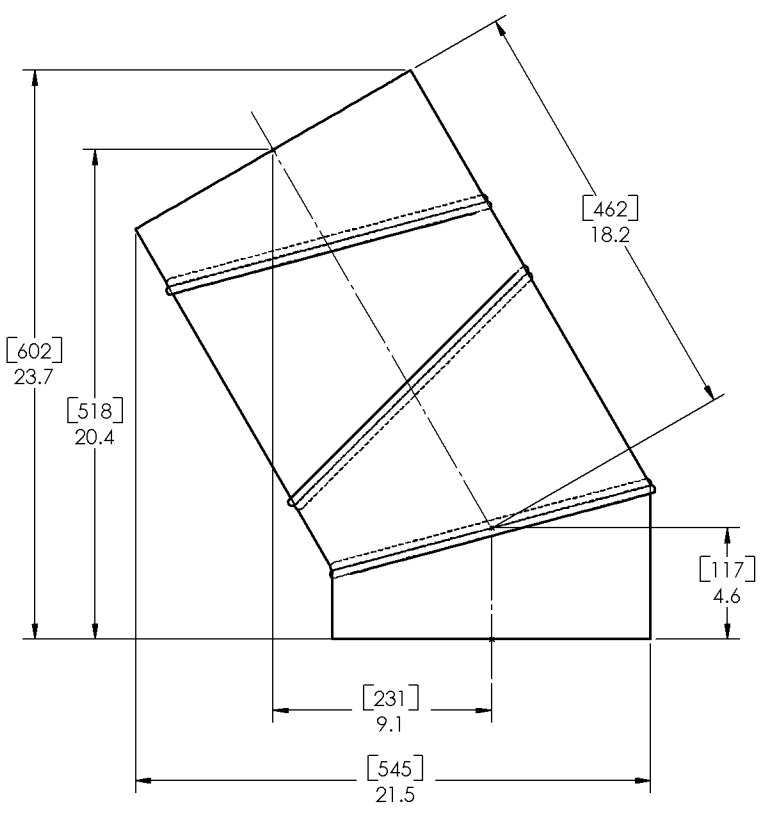
REVISIONS				
ECO	REV.	DESCRIPTION	DATE	INC.
	1		2/17/2006	



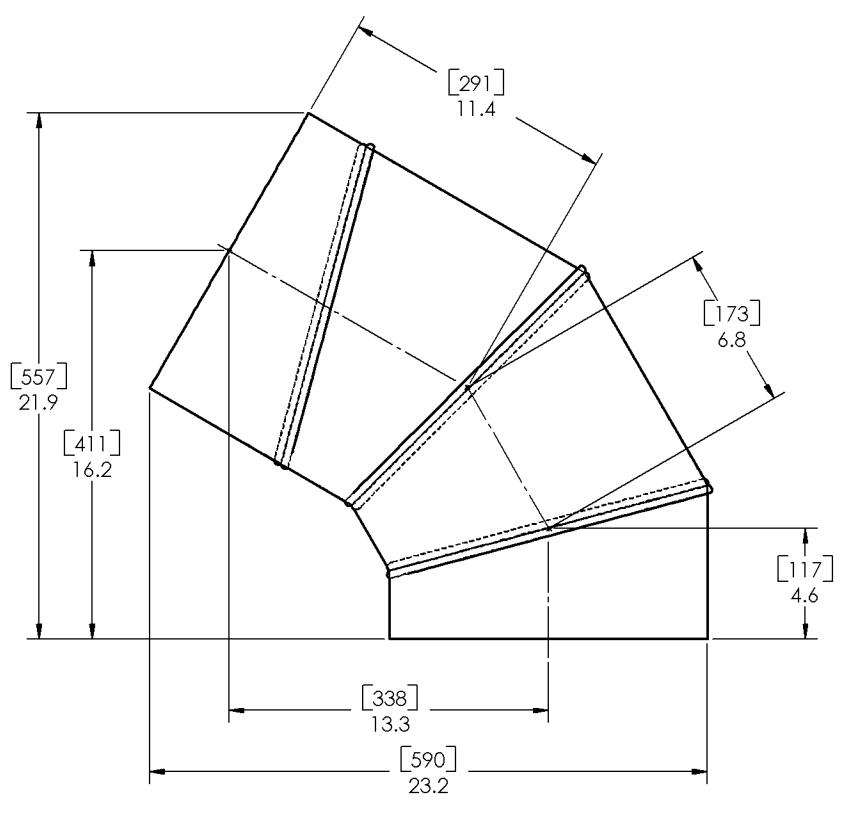
**TOP VIEW
STRAIGHT
SCALE 1:1**



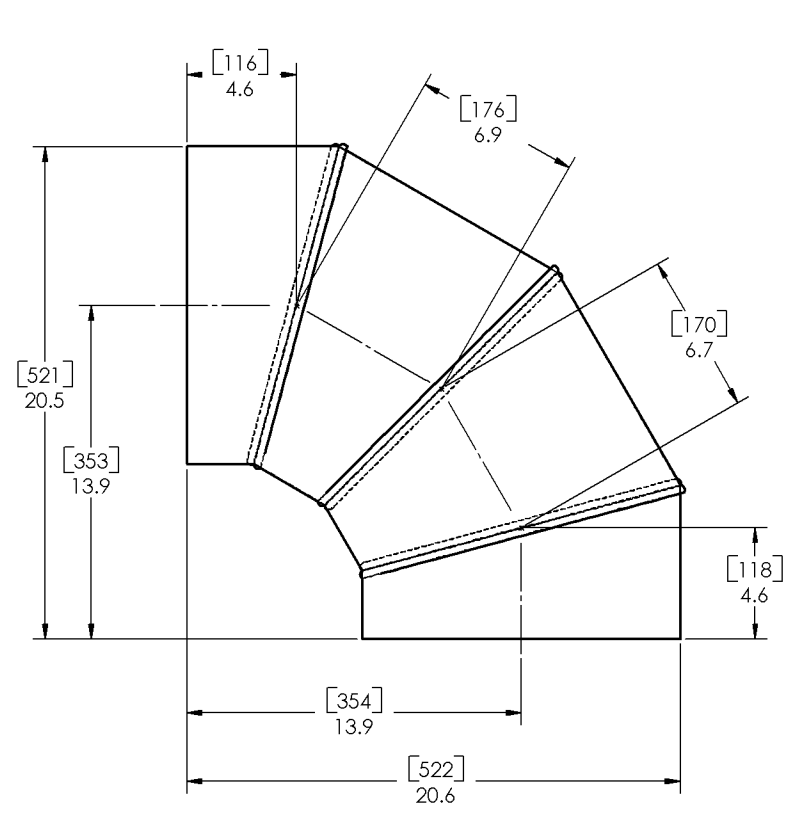
**STRAIGHT
SCALE 1:1**



**30° ANGLE
SCALE 1:1**



**60° ANGLE
SCALE 1:1**



**90° ANGLE
SCALE 1:1**

Ovlašteni zastupnik za Hrvatsku:
QUADRATUM d.o.o.
 B.Zadre 14, Sesvete, Zagreb
 Tel: 01 2027 072, Mob: 091 2345 129
 info@quadratum.hr, www.quadratum.hr

UNLESS OTHERWISE SPECIFIED:		PROPRIETARY AND CONFIDENTIAL	
TOLERANCES:		THE INFORMATION CONTAINED IN THIS DRAWING IS THE SOLE PROPERTY OF SOLATUBE. ANY REPRODUCTION IN PART OR AS A WHOLE WITHOUT THE WRITTEN PERMISSION OF SOLATUBE IS PROHIBITED.	
ANGULAR: ±0.5°			
INCH	MILLIMETER		
X ± .2	X ± .25		
XX ± .01	XX ± .12		
XXX ± .005	XXX ± .025		
MATERIAL	DRAWN BY	DATE	
--	STEVENS	2/17/06	
FINISH	CHECKED BY	DATE	
--	--	--	
DO NOT SCALE DRAWING	APPROVED BY	DATE	
--	--	--	

SOLATUBE
 2210 CORK RIDGE WAY
 VISTA, CALIFORNIA 92081-8341
 PH (760) 587-4400

TITLE: **0-90 DEGREE EXT. TUBE
14 INCH**

SIZE: **D** DWG. NO.: **14-90DEG-EXT** REV: **1**

SHEET 1 OF 1