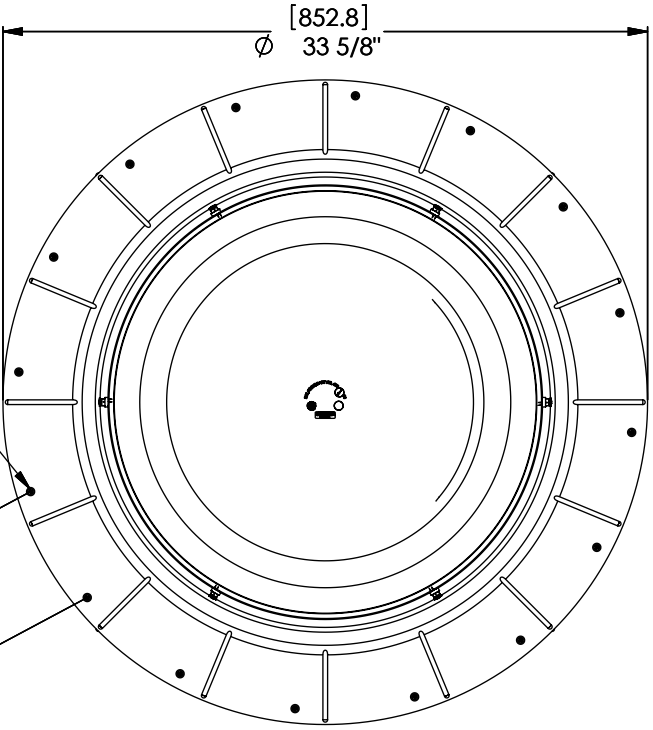
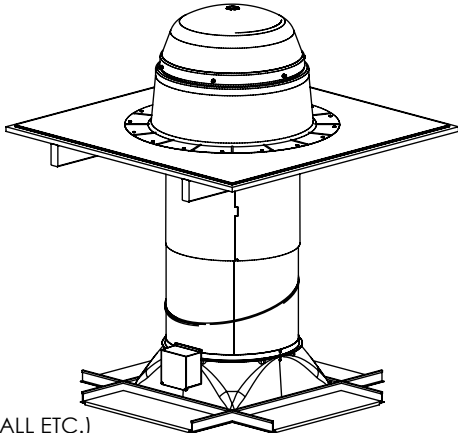


**SOLATUBE 330 DS-C
(21 IN / 530 MM)
11" SELF FLASHING
SUSPENDED CEILING WITH
DAYLIGHT DIMMER**




**TOP VIEW
SCALE 1:1**



**DETAIL C
SCALE 3:1**

- NOTES:
1. STRUCTURAL ELEMENTS (PLYWOOD, RAFTERS, DRYWALL ETC.) BY OTHERS & SHOWN FOR REFERENCE ONLY.
 2. ALL TUBE JOINTS & SEAMS TAPED WITH 2" FOIL TAPE (NOT SHOWN).
 3. DIMENSIONS IN BRACKETS ARE METRIC UNLESS OTHERWISE SPECIFIED.
 4. 6" MIN CLEARANCE SHOULD BE MAINTAINED FROM ALL SOLATUBE COMPONENTS AND OTHER PLENUM COMPONENTS.

Ovlašteni zastupnik za Hrvatsku:
QUADRATUM d.o.o.
 B.Zadre 14, Sesvete, Zagreb
 Tel: 01 2027 072, Mob: 091 2345 129
 info@quadratum.hr, www.quadratum.hr

UNLESS OTHERWISE SPECIFIED:		SOLATUBE INTERNATIONAL, INC. COPYRIGHT 2011 WWW.SOLATUBE.COM		 SOLATUBE <small>2210 OAK RIDGE WAY VISTA, CALIFORNIA 92081-8341 PH (760) 597-4400</small>	
DIMENSIONS ARE IN INCHES TOLERANCES: ANGULAR: ±0.5° X ± .1 .XX ± .02 .XXX ± .005		DRAWN BY STEVENS	DATE 3/11/09	TITLE: 330 DS (21") SELF FLASHING SUSPENDED CEILING	
MATERIAL -	FINISH -	CHECKED BY -	DATE -	SIZE DWG. NO. WEB-330-SF11-SC-DD	REV 2
DO NOT SCALE DRAWING		APPROVED BY -	DATE -	SCALE: 1:1	SHEET 1 OF 1

**FULL SECTION
SCALE 1:1**

**DETAIL B
SCALE 3:1**

**DETAIL C
SCALE 2:1**

**DETAIL A
SCALE 3:1**