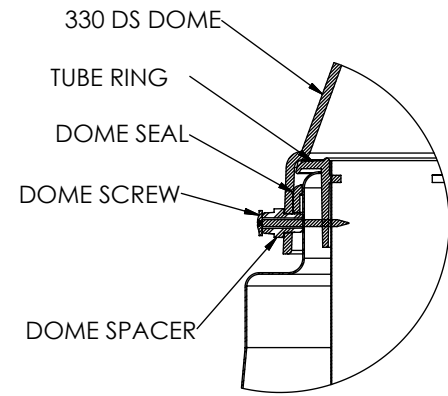
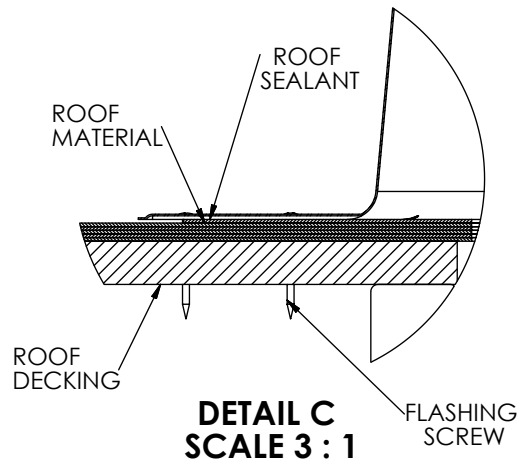


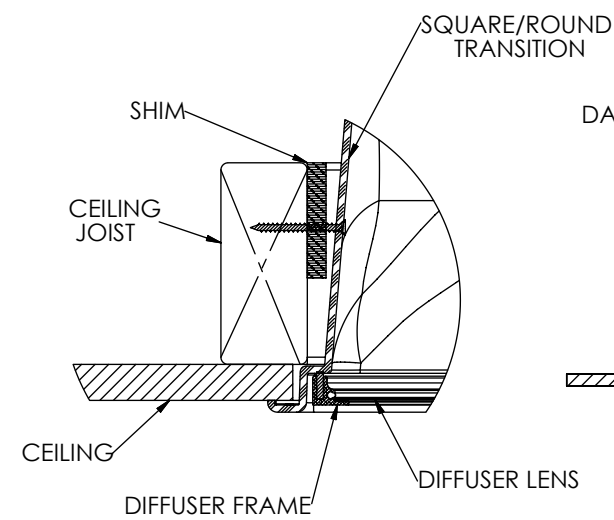
**SOLATUBE 330 DS-C
(21 IN / 530 MM)
11" SELF FLASHING
HARD CEILING W/ DAYLIGHT DIMMER**



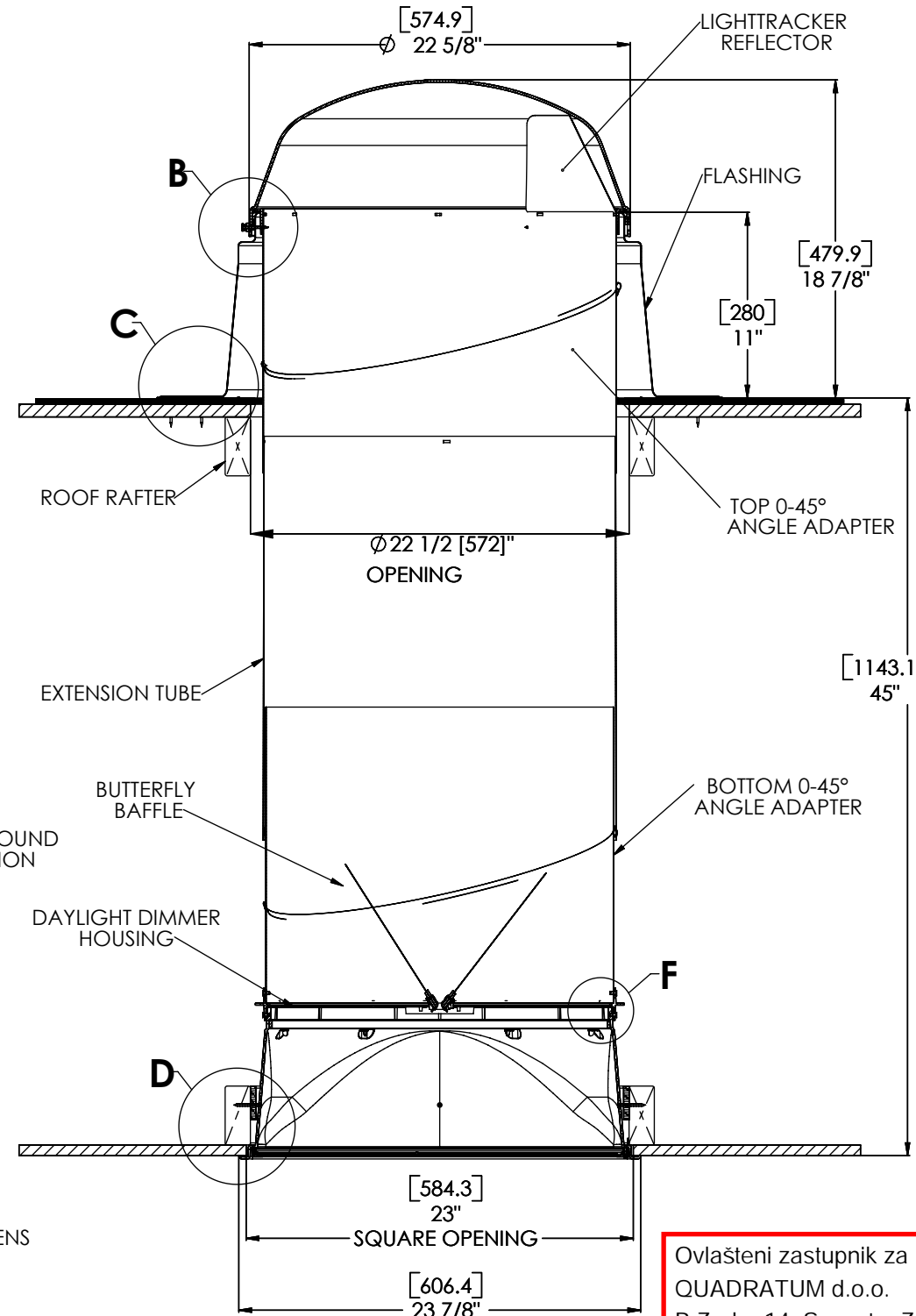
**DETAIL B
SCALE 3 : 1**



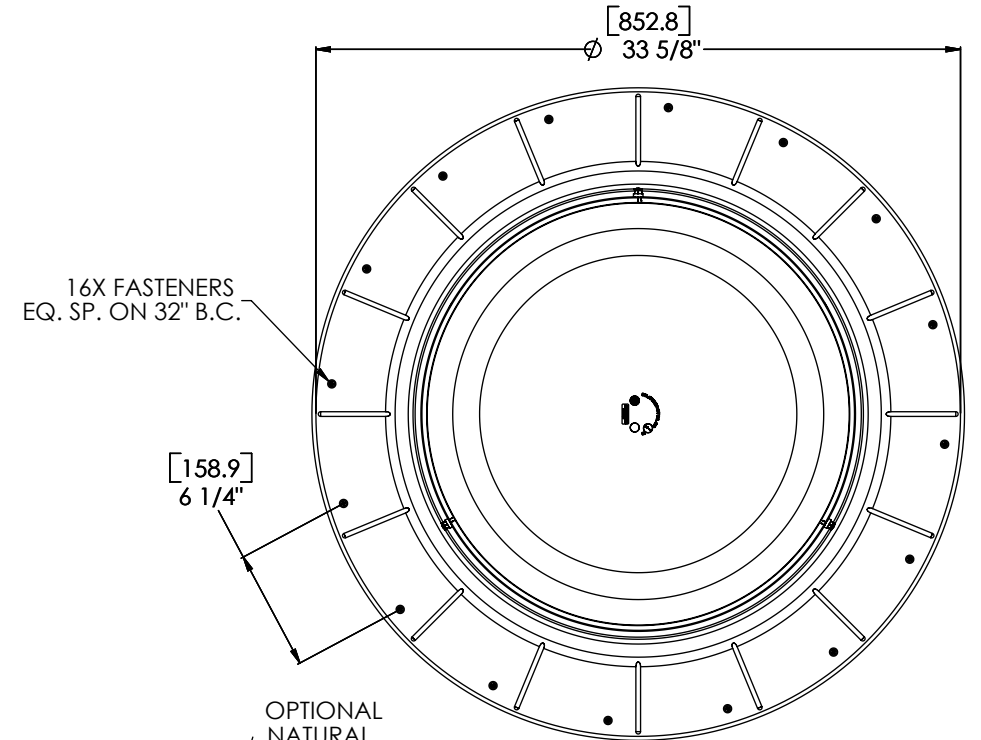
**DETAIL C
SCALE 3 : 1**



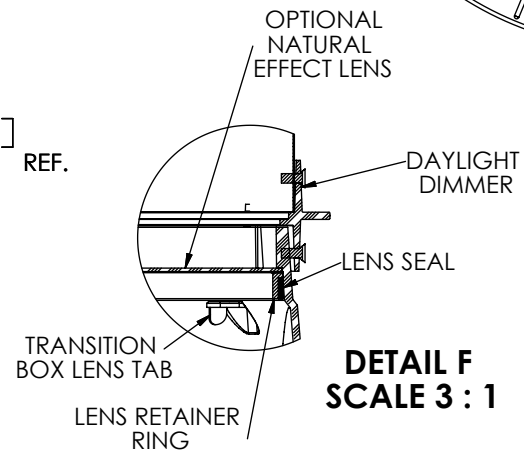
**DETAIL D
SCALE 3 : 1**



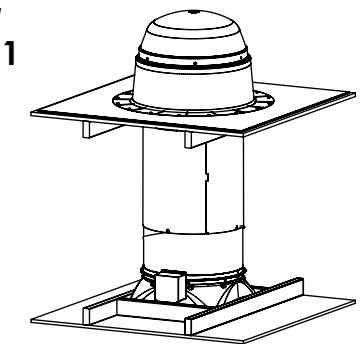
**FULL SECTION
SCALE 1:1**



**TOP VIEW
SCALE 1 : 1**



**DETAIL F
SCALE 3 : 1**



NOTES:

1. STRUCTURAL ELEMENTS (PLYWOOD, RAFTERS, DRYWALL ETC.) BY OTHERS & SHOWN FOR REFERENCE ONLY.
2. ALL TUBE JOINTS & SEAMS TAPED WITH 2" FOIL TAPE (NOT SHOWN).
3. DIMENSIONS IN BRACKETS ARE METRIC UNLESS OTHERWISE SPECIFIED.
4. 6" MIN CLEARANCE SHOULD BE MAINTAINED FROM ALL SOLATUBE COMPONENTS AND OTHER PLENUM COMPONENTS.

Ovlašteni zastupnik za Hrvatsku:
QUADRATUM d.o.o.
 B.Zadre 14, Sesvete, Zagreb
 Tel: 01 2027 072, Mob: 091 2345 129
 info@quadratum.hr, www.quadratum.hr

UNLESS OTHERWISE SPECIFIED:	
DIMENSIONS ARE IN INCHES	
TOLERANCES:	
ANGULAR: $\pm 0.5^\circ$	
X $\pm .1$	
.XX $\pm .02$	
.XXX $\pm .005$	
MATERIAL	---
FINISH	---
DO NOT SCALE DRAWING	

SOLATUBE INTERNATIONAL, INC. COPYRIGHT 2011 WWW.SOLATUBE.COM	
DRAWN BY STEVENS	DATE 7/1/08
CHECKED BY ---	DATE ---
APPROVED BY ---	DATE ---

 2210 OAK RIDGE WAY VISTA, CALIFORNIA 92081-8341 PH (760) 597-4400	
TITLE: 330 DS-C SELF FLASHING HARD CEILING W/DD	
DWG. NO. WEB-330-SF-HC-DD	REV 2
SCALE: 1:1	SHEET 1 OF 1