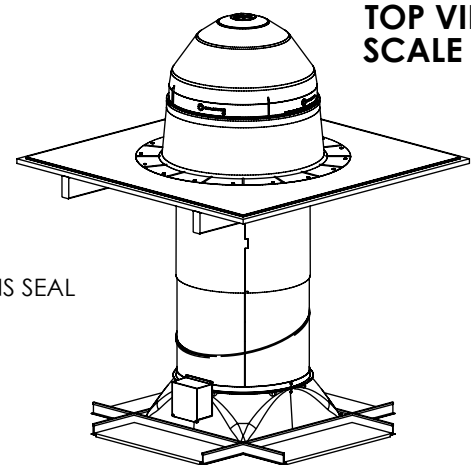
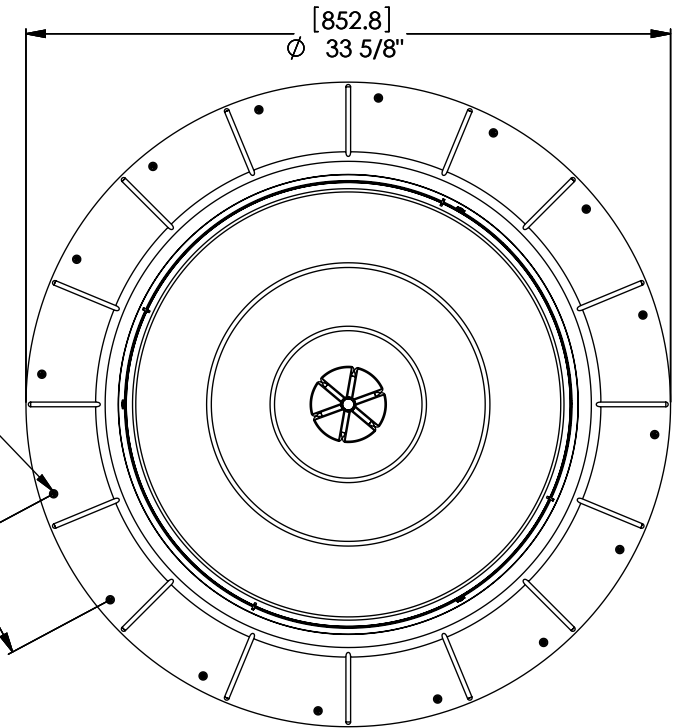
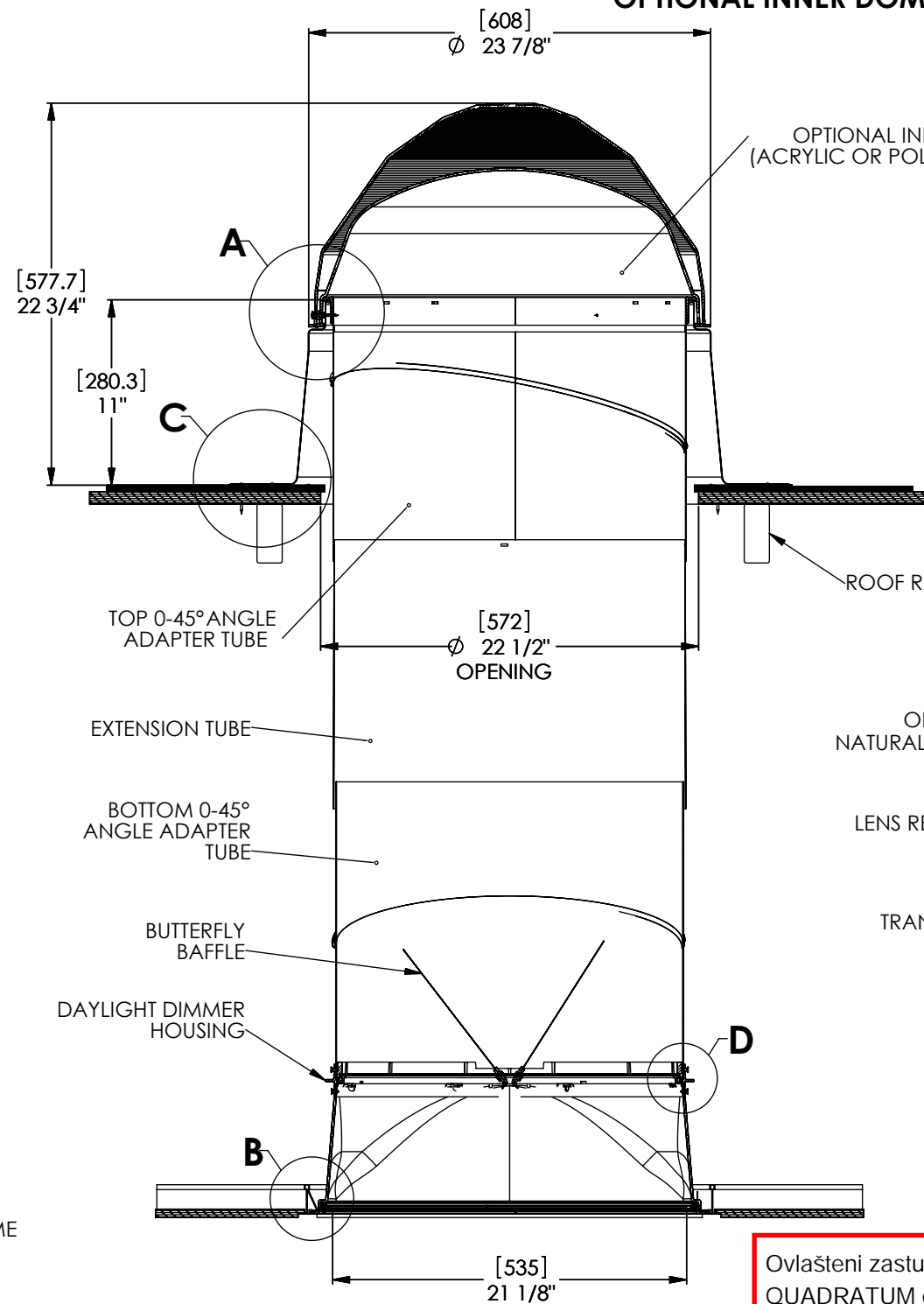
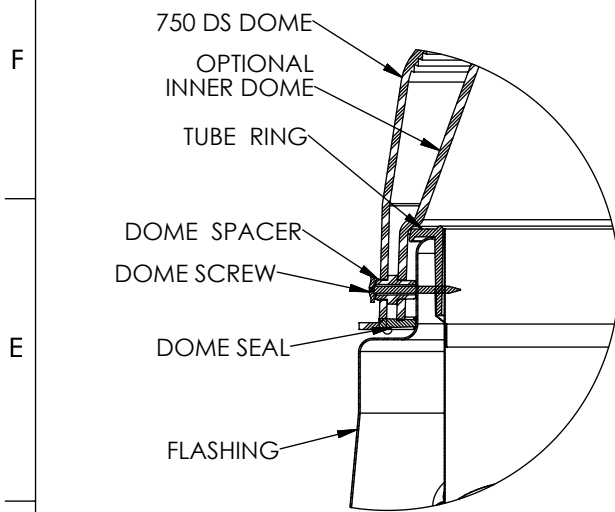


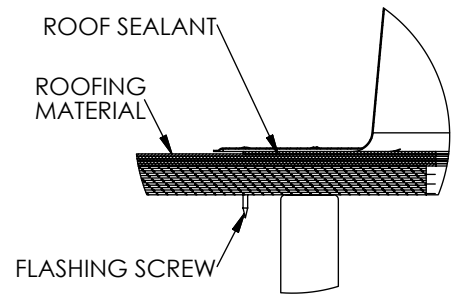
**SOLATUBE 750 DS-C  
(21 IN / 530 MM)  
11" SELF FLASHING  
SUSPENDED CEILING WITH  
OPTIONAL INNER DOME & DAYLIGHT DIMMER**



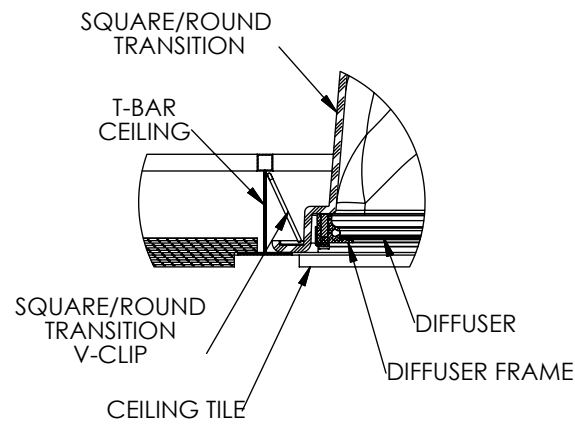
**TOP VIEW  
SCALE 1:1**



**DETAIL A  
SCALE 3:1**



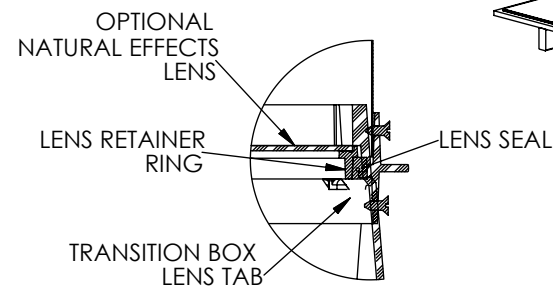
**DETAIL C  
SCALE 2:1**



**DETAIL B  
SCALE 3:1**

OPTIONAL INNER DOME  
(ACRYLIC OR POLYCARBONATE)

16X FASTENERS  
EQ. SP. ON 32" B.C.



**DETAIL D  
SCALE 3:1**

**NOTES:**

1. STRUCTURAL ELEMENTS (PLYWOOD, RAFTERS, DRYWALL ETC.) BY OTHERS & SHOWN FOR REFERENCE ONLY.
2. ALL TUBE JOINTS & SEAMS TAPED WITH 2" FOIL TAPE (NOT SHOWN).
3. DIMENSIONS IN BRACKETS ARE METRIC UNLESS OTHERWISE SPECIFIED.
4. 6" MIN CLEARANCE SHOULD BE MAINTAINED FROM ALL SOLATUBE COMPONENTS AND OTHER PLENUM COMPONENTS.

Ovlašteni zastupnik za Hrvatsku:  
QUADRATUM d.o.o.  
B.Zadre 14, Sesvete, Zagreb  
Tel: 01 2027 072, Mob: 091 2345 129  
info@quadratum.hr, www.quadratum.hr

UNLESS OTHERWISE SPECIFIED: DIMENSIONS ARE IN INCHES TOLERANCES: ANGULAR: ±0.5° X ± .1 .XX ± .02 .XXX ± .005		SOLATUBE INTERNATIONAL, INC. COPYRIGHT 2011 WWW.SOLATUBE.COM		 2210 OAK RIDGE WAY VISTA, CALIFORNIA 92081-8341 PH (760) 597-4400	
MATERIAL -	DRAWN BY STEVENS	DATE 3/11/09	TITLE: <b>750 DS (21") SELF FLASHING SUSPENDED CEILING</b>		
FINISH -	CHECKED BY -	DATE -	SIZE	DWG. NO. <b>WEB-750-SF11-SC-DD</b>	REV <b>2</b>
DO NOT SCALE DRAWING			APPROVED BY -	DATE -	SHEET 1 OF 1

**FULL SECTION  
SCALE 1:1**