

# Solatube Daylight Dimmer Open Ceiling Installation Instructions for 330 DS and 750 DS

**Note:** This procedure is for installation of the Solatube Daylight Dimmer in an open ceiling application. The Solatube Daylight Dimmer must be installed on the bottom of extension tube only. Follow all open ceiling installation instructions up to step 4 in the SolaMaster Installation instructions prior to installing the Daylight Dimmer in an open ceiling application.

## Modify Daylight Dimmer

**Step 1.** Remove the front cover of the junction box. Remove the two screws that connect the junction box to the Dimmer Ring which will release the junction box taking care to retain the spacer (**Diagram A**).

**Step 2.** Position the dampers to the full open position and rotate the junction box 180 degrees from its original position. Place the spacer on the round cam on the backside of the junction box.

**Step 3.** Attach the junction box to the Dimmer Ring by placing the two screws removed in step 1 into the appropriate fastening holes and fasten junction box to Dimmer Ring. Do not over tighten (**Diagram B**).

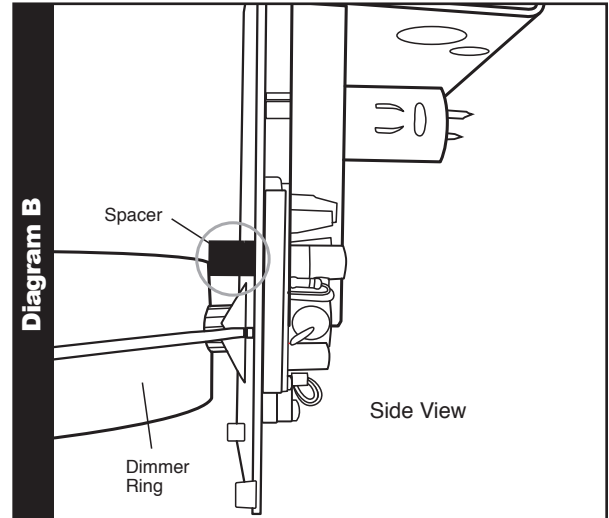
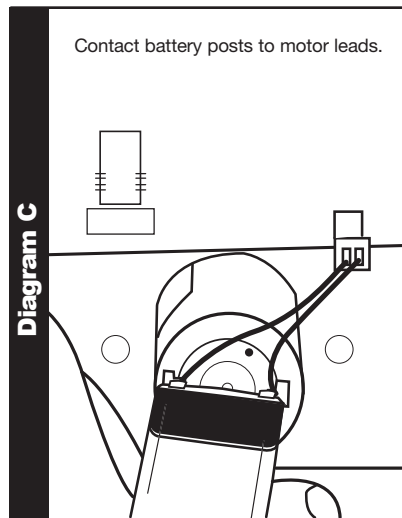
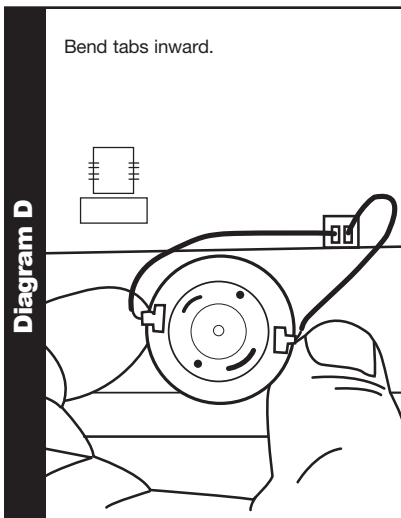
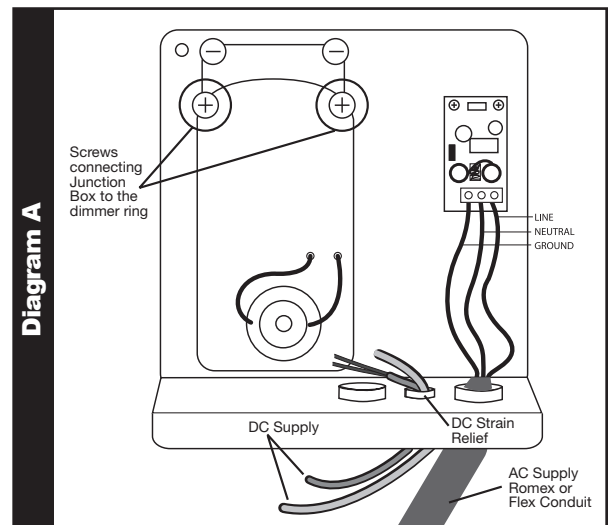
**Step 4.** Test dimmer for proper operation and to ensure the dampers open freely. Carefully bend the lead tabs inward on the motor so they are facing in (**Diagram C**). Using the 9v battery, make contact with the motor leads (**Diagram D**). The dampers will start to move when connection has been made. Release the 9v battery when the dampers have successfully opened and closed.

**Note:** At the conclusion of Dimmer testing, leave the dampers in the open position.

Please read all warnings and instructions before beginning installation.

## ADDENDUM TO PARTS LIST

9v Battery	(Not Included)
Weather Seal (3/8 in wide x 3/16 in thick Vinyl Foam Weather Seal)	(Not Included)
Drill bit #40 (0.0985 in/2.5 mm)	(Not Included)



**Step 5.** Place bottom end of extension tube onto top portion of Dimmer Ring. Using a felt pen, mark the tube area above damper notches on both sides of Dimmer Ring (**Diagram E**). Remove tubing from Dimmer Ring and notch both marked areas with metal sheers to allow Daylight Dimmer to fit flush against tubing (**Diagram F**).

**Note:** Install notched tube assembly into flashing without the Daylight Dimmer or diffuser. Proceed to step 8 in the Open Ceiling Installation Instructions section of the Solamaster Installation Instructions. Then proceed to the Dome Installation Instruction before proceeding.

**Install Daylight Dimmer**

**Step 6.** Install weather seal around the perimeter of the top side of Daylight Dimmer Ring (**Diagram G**).

**Step 7.** Remove liner from the diffuser seal. Apply the seal around the perimeter of the bottom outside edge of the Daylight Dimmer Ring (**Diagram H**). Trim the seal to tightly butt the ends.

**Step 8.** With dampers in the open position pre drill four evenly spaced fastening holes into the top ridge of the Daylight Dimmer ring (**Diagram I**).

**Step 9.** Place Daylight Dimmer onto the bottom of the notched extension tube. Tubing will rest on outside edge of Daylight Dimmer Ring. From inside of the Dimmer Ring fasten the Daylight Dimmer to the extension tube using (4) 3/8 in (9 mm) screws in the pre-drilled holes. Apply foil tape around perimeter of the Daylight Dimmer ensuring all openings in the tubing are sealed off.

**Step 10.** Place the diffuser over the bottom end of the Daylight Dimmer until it rests evenly against the ring. Pre-drill four evenly spaced fastening holes through the diffuser and the Dimmer Ring. Fasten diffuser using four (4) 3/8 in (9 mm) screws (**Diagram K**). Do not over tighten screws.

