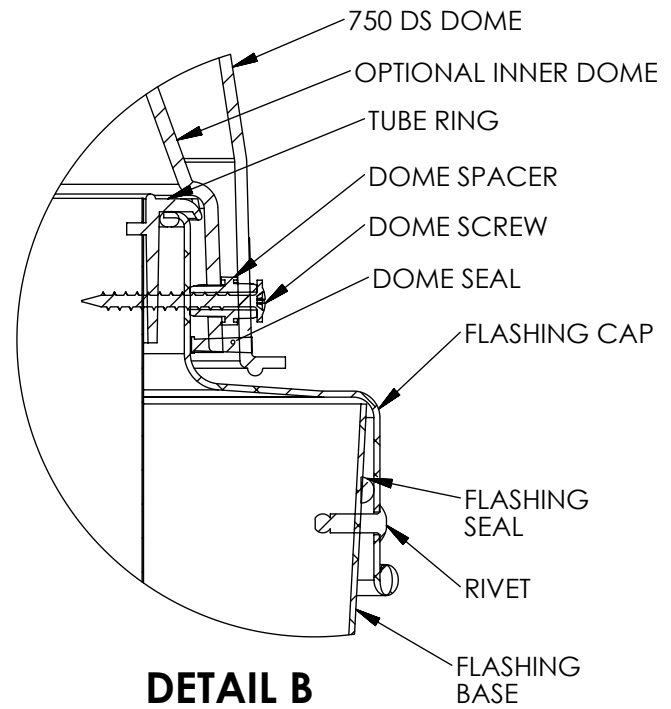
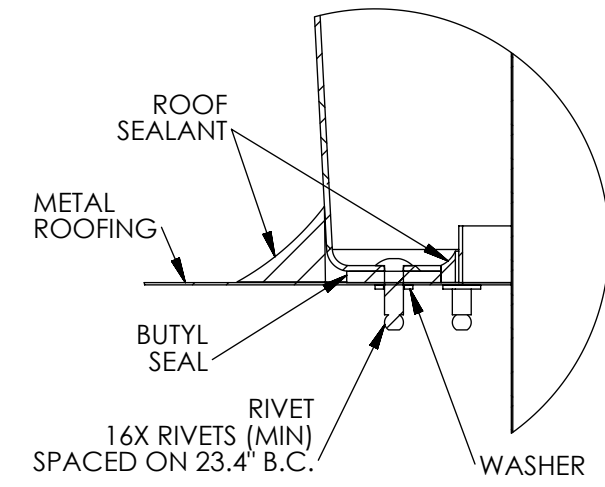


**SOLATUBE 750 DS-C  
(21 IN/530 MM)  
METAL ROOF FLASHING HARD CEILING  
OPTIONAL INNER DOME**

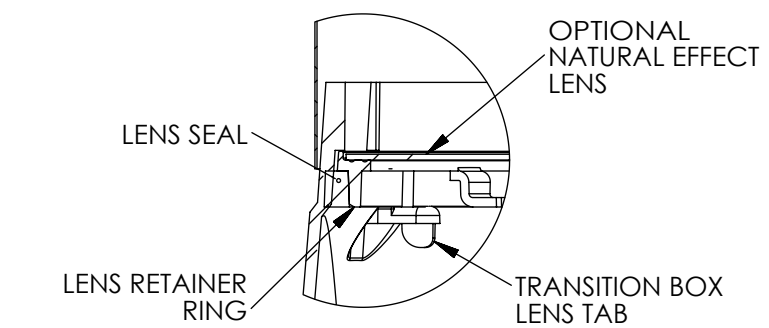
D  
C  
B  
A



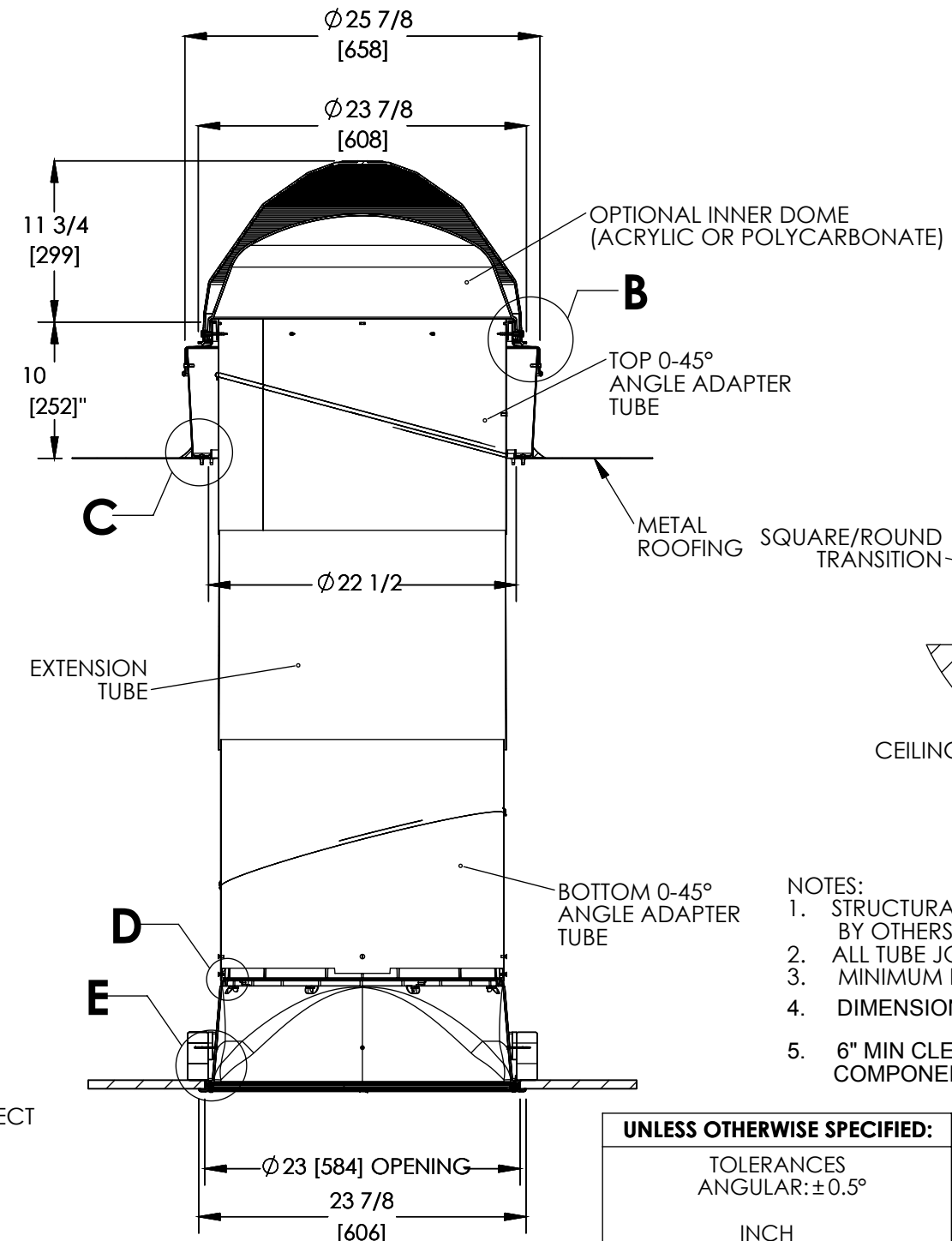
**DETAIL B  
SCALE 1 : 6**



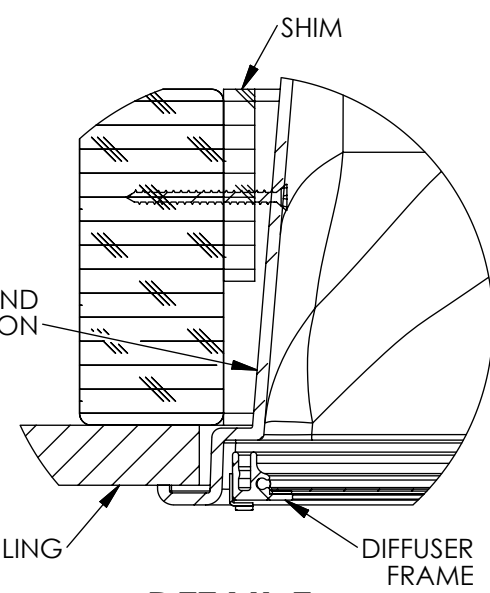
**DETAIL C  
SCALE 1 : 6**



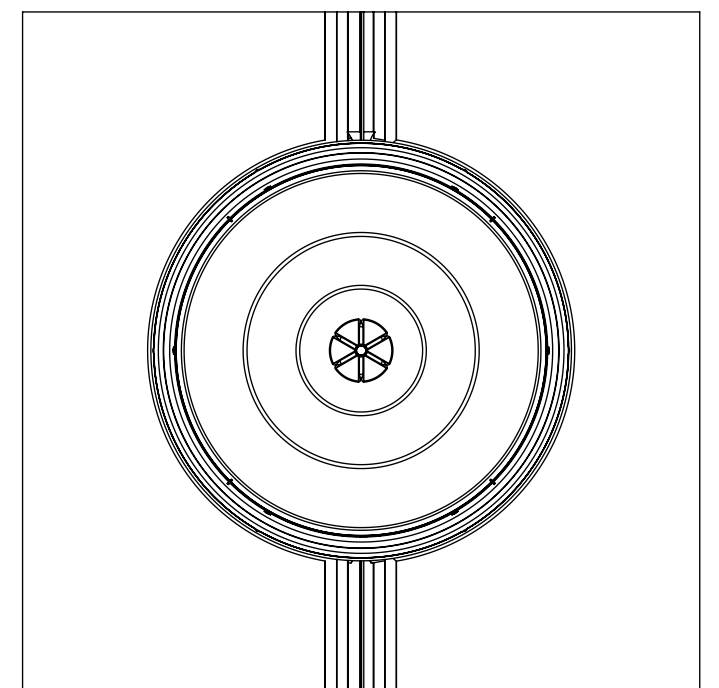
**DETAIL D  
SCALE 1 : 6**



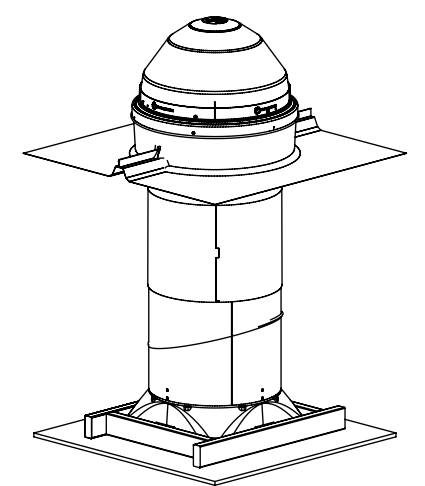
**FULL SECTION**



**DETAIL E  
SCALE 1 : 6**




**TOP VIEW**



- NOTES:**
1. STRUCTURAL ELEMENTS (ROOFING, RAFTERS, DRYWALL, ETC) BY OTHERS & SHOWN FOR REFERENCE ONLY
  2. ALL TUBE JOINTS & SEAMS TAPED WITH 2" FOIL TAPE (NOT SHOWN)
  3. MINIMUM ROOF SLOPE 2.4 DEGREES
  4. DIMENSIONS IN BRACKETS ARE METRIC UNLESS OTHERWISE SPECIFIED.
  5. 6" MIN CLEARANCE SHOULD BE MAINTAINED FROM ALL SOLATUBE COMPONENTS AND OTHER PLENUM COMPONENTS.

Ovlašteni zastupnik za Hrvatsku:  
QUADRATUM d.o.o.  
B.Zadre 14, Sesvete, Zagreb  
Tel: 01 2027 072, Mob: 091 2345 129  
info@quadratum.hr, www.quadratum.hr

<b>UNLESS OTHERWISE SPECIFIED:</b>		<b>SOLATUBE INTERNATIONAL, INC. COPYRIGHT 2011</b>	
TOLERANCES ANGULAR: ±0.5°		<b>WWW.SOLATUBE.COM</b>	
INCH .X ± .10		DRAWN BY STEVENS	DATE 2/15/10
MATERIAL --		CHECKED BY --	DATE --
FINISH --		APPROVED BY --	DATE --
<b>DO NOT SCALE DRAWING</b>			



**SOLATUBE**  
2210 OAK RIDGE WAY  
VISTA, CALIFORNIA 92081-8341  
PH (760) 597-4400

TITLE: <b>750 DS-C METAL ROOF FLASHING/ HARD CEILING</b>		
SIZE <b>B</b>	DWG. NO. <b>WEB-750-FSM-HC</b>	REV <b>4</b>
UNITS: INCH [MM]	SCALE: 1:12	SHEET 1 OF 1

8 7 6 5 4 3 2 1

8 7 6 5 4 3 2 1