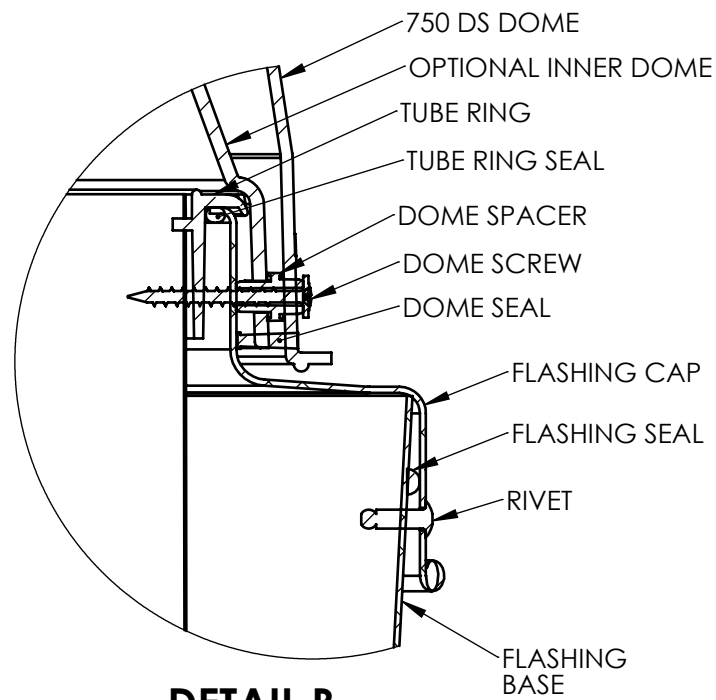
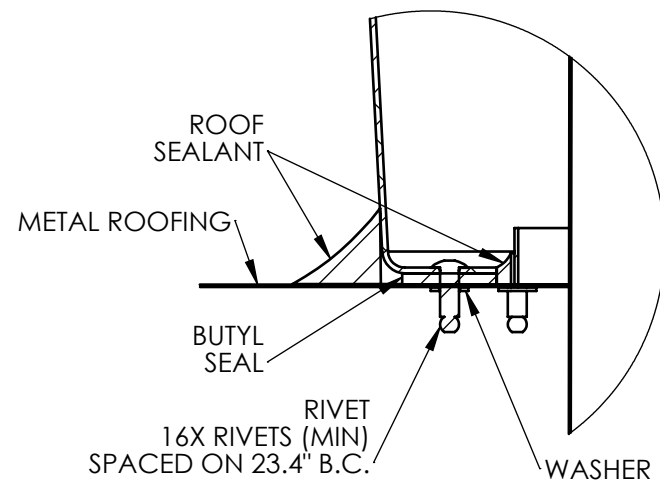


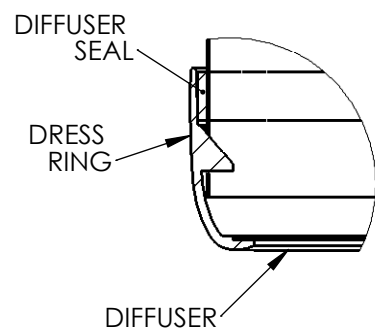
**SOLATUBE 750 DS-O
(21 IN/530 MM)
METAL ROOF FLASHING OPEN CEILING
EXTENSION TUBE ONLY
OPTIONAL INNER DOME**



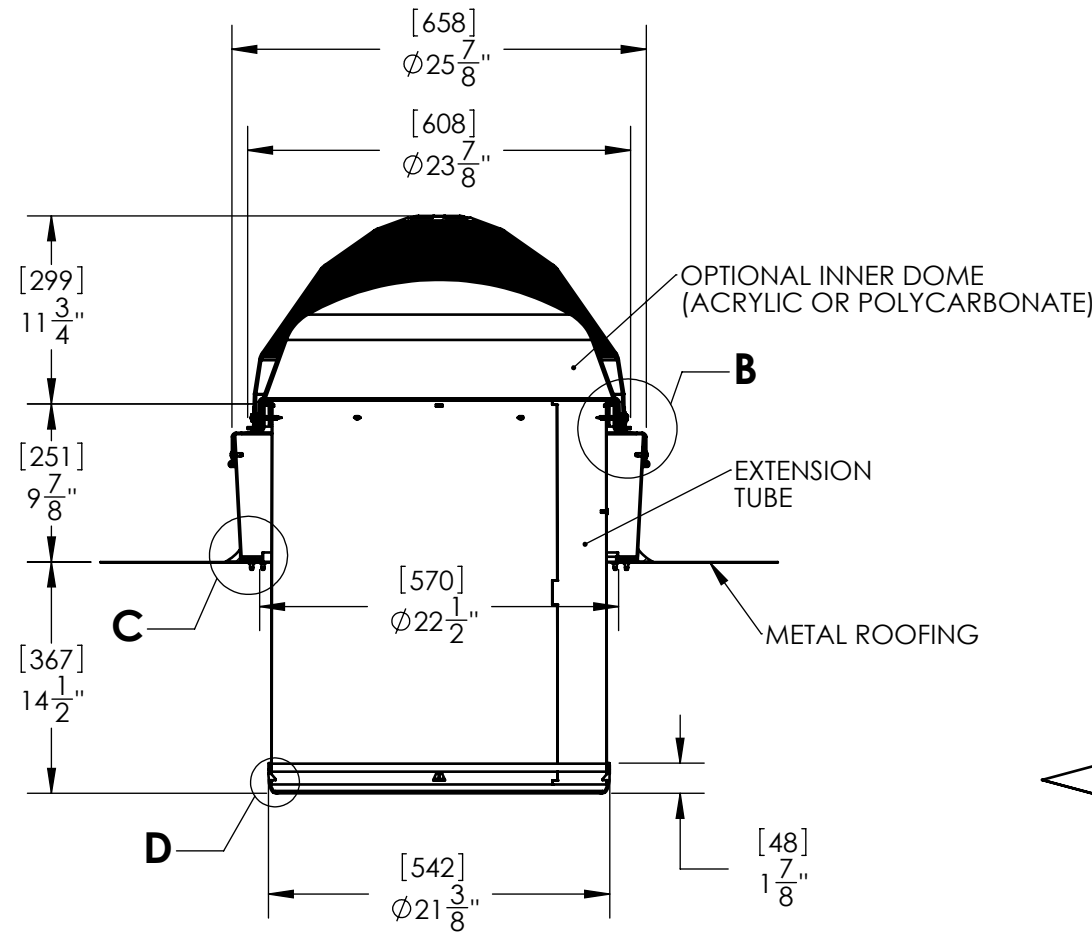
**DETAIL B
SCALE 1 : 6**



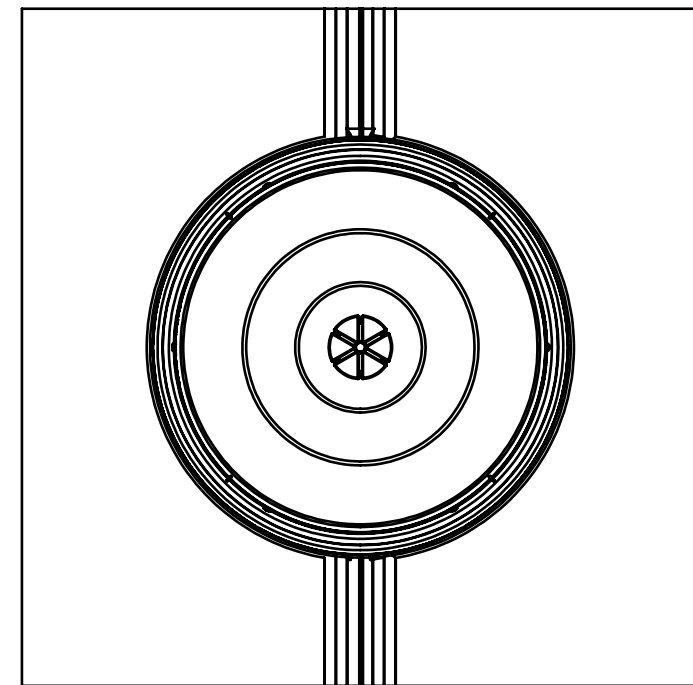
**DETAIL C
SCALE 1 : 6**



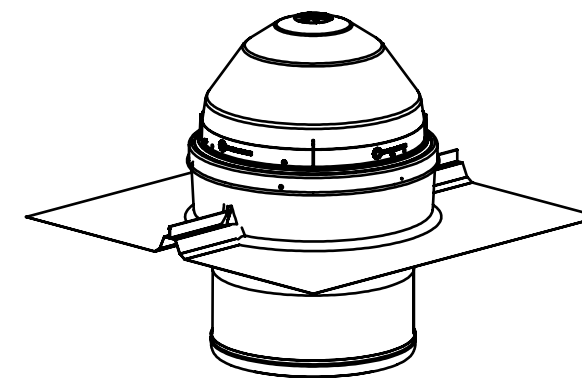
**DETAIL D
SCALE 1 : 6**



FULL SECTION




TOP VIEW



- NOTES:
1. STRUCTURAL ELEMENTS (ROOFING, RAFTERS, DRYWALL, ETC) BY OTHERS & SHOWN FOR REFERENCE ONLY
 2. ALL TUBE JOINTS & SEAMS TAPED WITH 2" FOIL TAPE (NOT SHOWN)
 3. MINIMUM ROOF SLOPE 2.4 DEGREES

Ovlašteni zastupnik za Hrvatsku:
QUADRATUM d.o.o.
B.Zadre 14, Sesvete, Zagreb
Tel: 01 2027 072, Mob: 091 2345 129
info@quadratum.hr, www.quadratum.hr

UNLESS OTHERWISE SPECIFIED:		SOLATUBE INTERNATIONAL, INC. COPYRIGHT 2010 WWW.SOLATUBE.COM		 SOLATUBE 2210 OAK RIDGE WAY VISTA, CALIFORNIA 92081-8341 PH (760) 597-4400		
TOLERANCES ANGULAR: $\pm 0.5^\circ$ INCH $.X \pm .10$						
MATERIAL		DRAWN BY	DATE	TITLE: 750 DS-O METAL ROOF FLASHING / OPEN CEILING		
---		STEVENS	2/15/10			
FINISH		CHECKED BY	DATE			
---		---	---	SIZE	DWG. NO.	REV
---		APPROVED BY	DATE	B	WEB-750-FSM-OC-NA	3
DO NOT SCALE DRAWING		---	---	UNITS: INCH [MM]		SCALE: 1:12
				SHEET 1 OF 1		