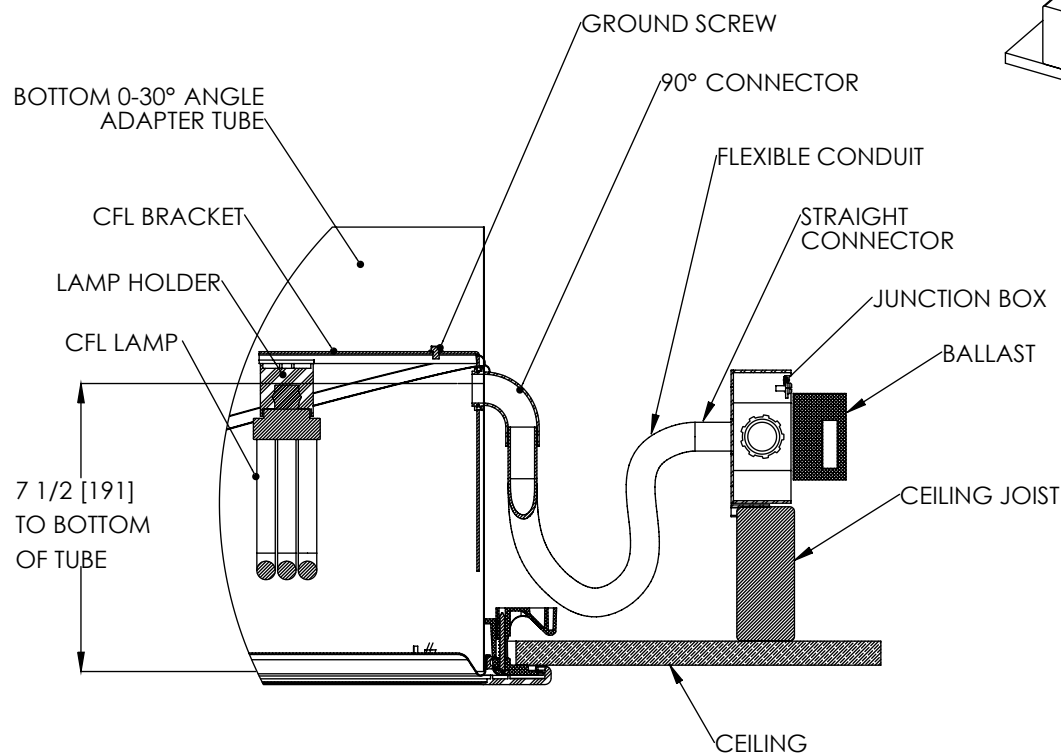
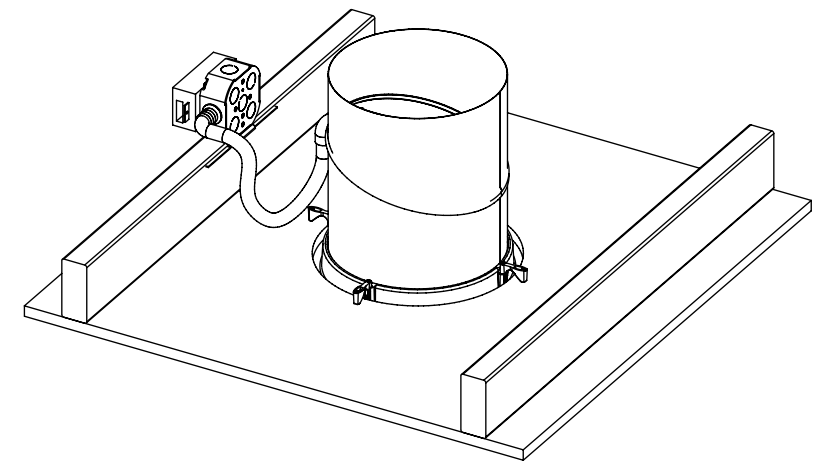
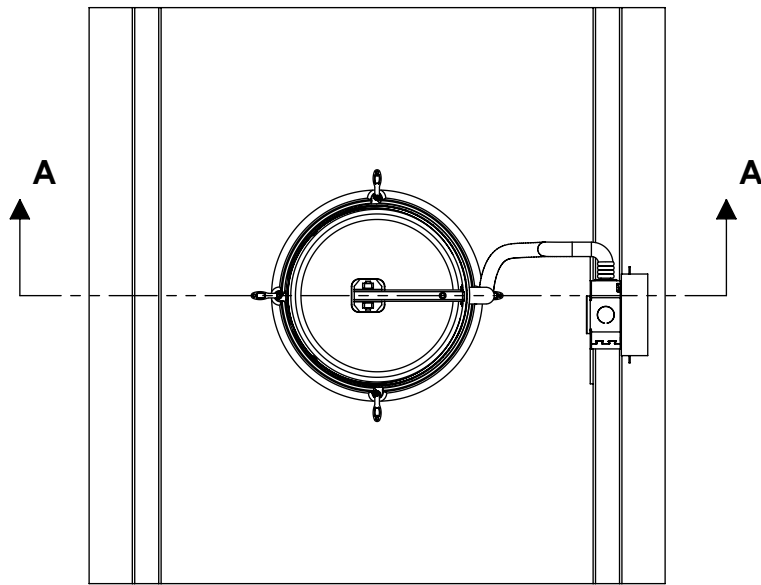
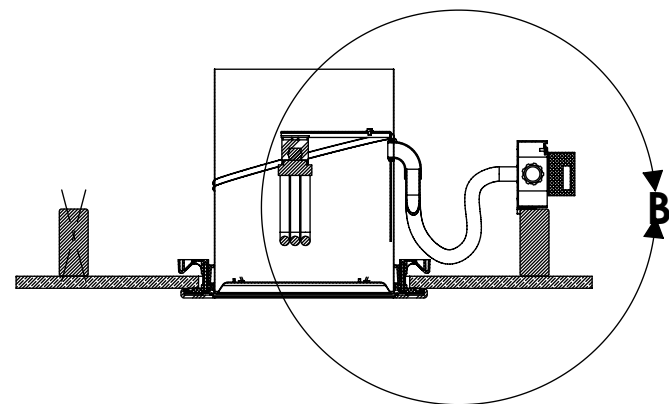


REVISIONS					
REV	ECO	DATE	REVISED	CHECKED	APPROVED
A		10/4/2010			

**SOLATUBE 160 DS
(10 IN / 250 MM)
COMPACT FLUORESCENT
LIGHT KIT**



**DETAIL B
SCALE 2 : 1**




SECTION A-A

NOTES:

1. STRUCTURAL ELEMENTS (PLYWOOD, RAFTERS, DRYWALL ETC. BY OTHERS & SHOWN FOR REFERENCE ONLY).
2. ALL TUBE JOINTS & SEAMS TAPED WITH 2" FOIL TAPE (NOT SHOWN).
3. DIMENSIONS IN BRACKETS ARE METRIC UNLESS OTHERWISE SPECIFIED.
4. 6" MIN CLEARANCE SHOULD BE MAINTAINED FROM ALL SOLATUBE COMPONENTS AND OTHER PLENUM COMPONENTS.
5. CFL LAMP: USE GX24q-3 BASE, 26 WATT; 4-PIN ONLY

Ovlašteni zastupnik za Hrvatsku:
QUADRATUM d.o.o.
 B.Zadre 14, Sesvete, Zagreb
 Tel: 01 2027 072, Mob: 091 2345 129
 info@quadratum.hr, www.quadratum.hr

UNLESS OTHERWISE SPECIFIED:		SOLATUBE INTERNATIONAL, INC. COPYRIGHT 2010 WWW.SOLATUBE.COM		 SOLATUBE <small>22' 3 OAK RIDGE WAY WESTLAKE, CALIFORNIA 91391-3341 PH: (782) 527-4400</small>	
DIMENSION TOLERANCE		DRAWN BY STEVENS		TITLE: SOLATUBE 160 DS COMPACT FLUORESCENT LIGHT	
FRACTIONS ± 1/4" INCH X ± .1 .XX ± .06		DATE 10/4/10		SIZE	
MILLIMETER [XX] ± .25 [XX] ± 1.5		CHECKED BY -		DWG. NO. WEB-160DS-HC-CFL	
MATERIAL -		DATE -		REV A	
FINISH -		APPROVED BY -		SCALE: 1:1	
DO NOT SCALE DRAWING		DATE -		SHEET 1 OF 1	