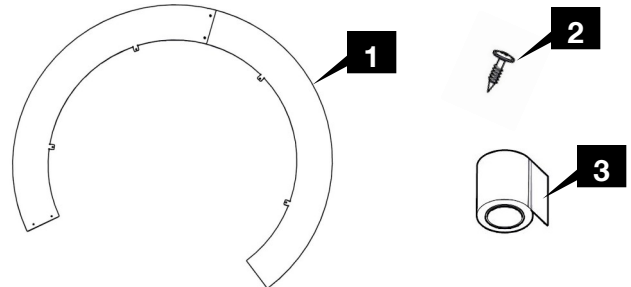
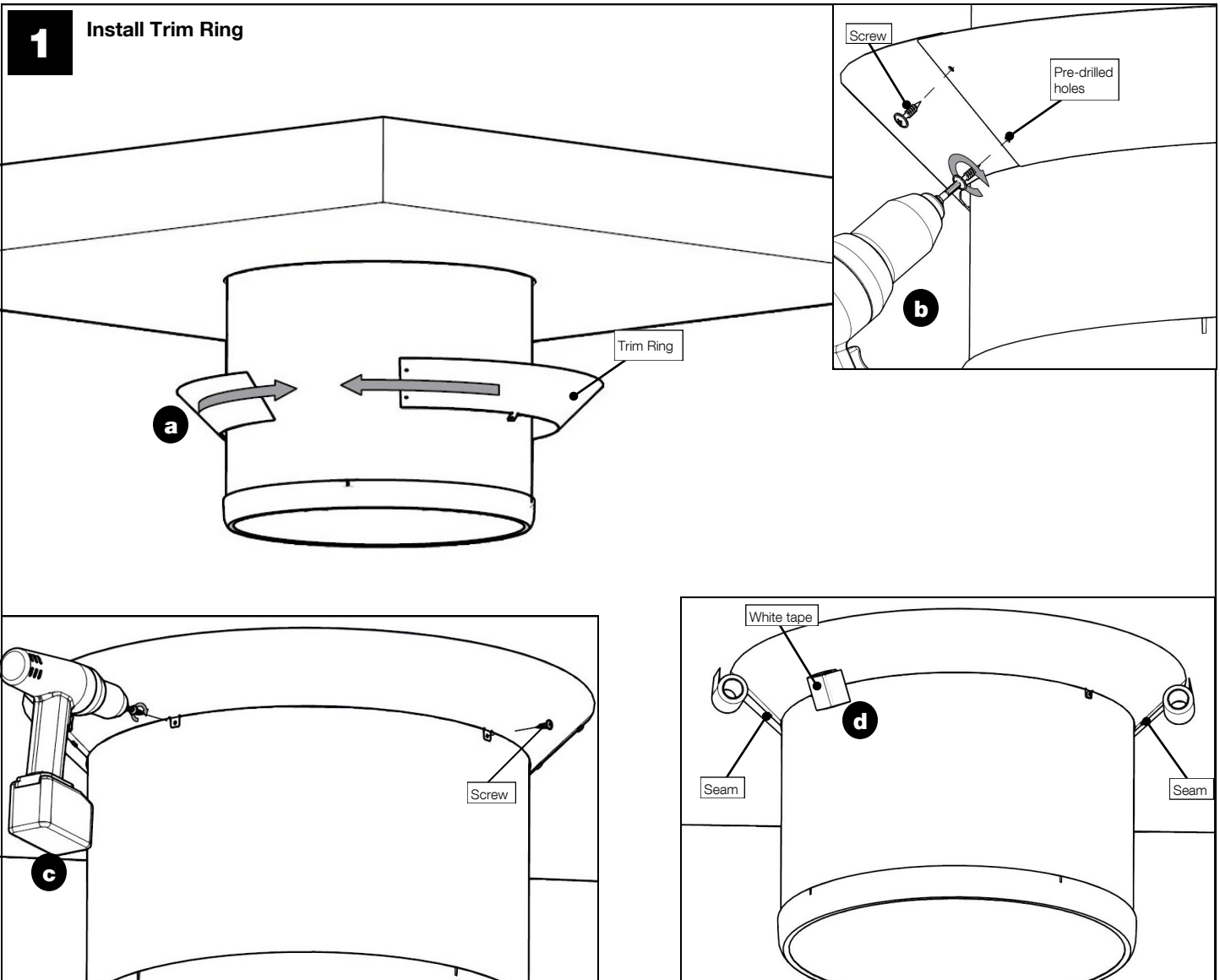


Parts List	Quantity
1 330 DS/750 DS Trim Ring	(1)
2 Screw #8 X 9/16 in (14 mm)	(6)
3 White Tape 1" X 8'	(1)
Additional Materials and Tools	Quantity
1 None	



Installation Instructions



For the most current Installation Instructions, please visit www.solatube.com/instructions

Solatube International, Inc. | 2210 Oak Ridge Way | Vista, CA 92081-8341 | www.solatube.com | T: 888.SOLATUBE

Za Hrvatsku: QUADRATUM d.o.o., Zagreb / Tel: 01 2027 072, Mob: 091 2345 129 / info@quadratum.hr, www.quadratum.hr

© 2010 Solatube International, Inc.